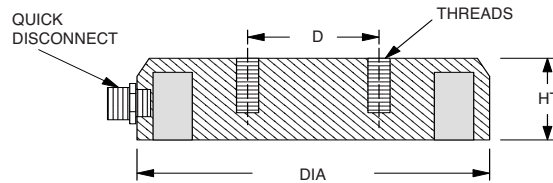


AC POWERED ELECTROMAGNETS

120 VOLT AC CONTINUOUS DUTY CYCLE

FEATURES:

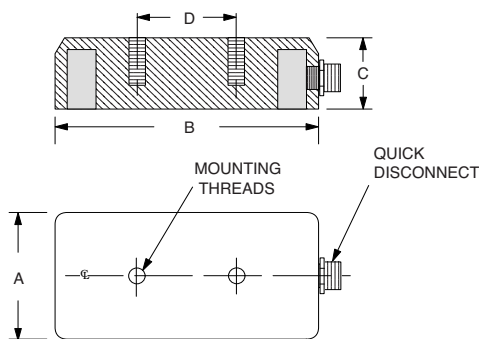
- COMPLETE WITH 3-PRONG PLUG
- BUILT-IN RECTIFIER
- ALL COPPER WOUND COILS
- HEAVY STEEL CASE
- CLASS B INSULATION
- REPLACEABLE 6' QUICK DISCONNECT CORD



CEA-TYPE PRODUCT NUMBER	DIMENSIONS-(IN)			MOUNTING THREADS	WEIGHT WATTS	POWER (LBS)	POWER (LBS)	DCA-TYPE PRODUCT NUMBER
	DIA.	HT.	D					
CSA-200-120AC	2.0	1.63	-	1/4-20	12.6	1.4	170	DSA-200-120AC
CE-200-120AC	2.0	2.00	-	1/4-20	13	1.4	230	DC-200-120AC
CS-250-120AC	2.5	1.50	0.75	1/4-20	16.1	2.1	320	DS-250-120AC
CEA-250-120AC	2.5	2.00	0.75	1/4-20	16	2.1	380	DCA-250-120AC
CEA-300-120AC	3.0	2.00	1.00	1/4-20	20	3.9	440	DCA-300-120AC
CES-350-120AC	3.5	1.25	1.00	1/4-20	25.5	4.5	500	DCS-350-120AC
CEA-350-120AC	3.5	2.00	1.00	1/4-20	25.5	4.5	700	DCA-350-120AC
CES-400-120AC	4.0	1.25	1.00	1/4-20	31	7.0	800	DCS-400-120AC
CEA-400-120AC	4.0	2.00	1.00	1/4-20	30.3	7.0	1000	DCA-400-120AC
CES-500-120AC	5.0	1.25	2.00	3/8-16	25.5	9.5	1900	DCS-500-120AC
CEA-500-120AC	5.0	2.00	2.00	3/8-16	34.6	9.5	1900	DCA-500-120AC
CEA-600-120AC	6.0	2.00	2.00	1/2-13	44	16.0	2200	DCA-600-120AC
CE-600-120AC	6.0	3.00	2.00	1/2-13	44	16.0	2800	DC-600-120AC
CEA-800-120AC	8.0	2.00	3.00	1/2-11	60.5	25.0	3300	DCA-800-120AC
CE-800-120AC	8.0	4.00	3.00	1/2-11	49	25.0	4000	DC-800-120AC
CEA-1000-120AC	10.0	2.50	3.00	5/8-11	60.5	45.0	4700	DCA-1000-120AC

**120 VOLT AC
CONTINUOUS
DUTY MODELS**

REPLACEMENT CORD# RPC-1 FOR ALL "M" STYLE MAGNETS
REPLACEMENT CORD# RPC-2 FOR ALL "S" STYLE MAGNETS



RECTANGULAR 120 VOLT AC CONTINUOUS DUTY MODELS

PRODUCT NUMBER	DIMENSIONS-INCHES				MOUNTING THREADS	WEIGHT WATTS	POWER (LBS)	POWER (LBS)
	B	A	C	D				
ES-1525-120AC	2.5	1.5	1.25	1.00	10-32	13.4	2.0	85
EM-2545-120AC	4.5	2.5	2.00	1.50	1/4-20	24.2	5.0	700
EM-3060-120AC	6.0	3.0	2.00	1.50	3/8-16	27	9.0	1500
EM-4080-120AC	8.0	4.0	2.25	2.00	1/2-13	26.9	16.0	2000
EM-6012-120AC	12.0	6.0	3.50	3.00	1/2-13	65.4	53.0	4500

**120 VOLT AC
CONTINUOUS
DUTY MODELS**