

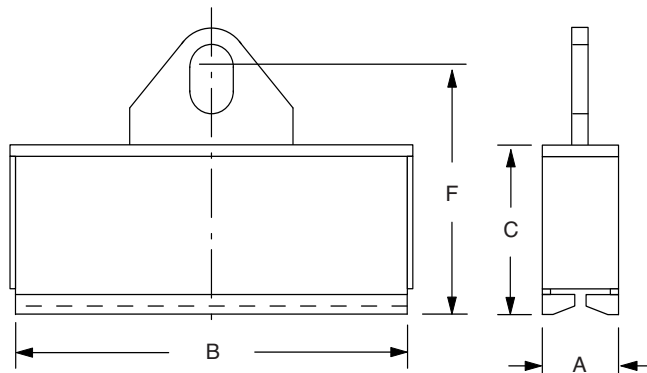
LP Series RECTANGULAR LIFTING MAGNETS

Parallel Pole Lifting Magnets are Ideal for Tubing and Structurals

These high strength electromagnets are furnished with one pair of flat pole shoes to be machined to your requirements. We will quote pricing to machine the poles, or you can machine them to your specifications. LP Series electromagnets are also available with a power supply mounted directly on the magnet. All models are furnished with a 6' disconnect or power cord.



LP SERIES



LPR SERIES

110VDC Continuous Duty Cycle

LP TYPE PRODUCT NUMBER	A	B	C	F	WATTS	WEIGHT (LBS)	MAX. LOAD WORKING	CAPACITY TEST	LPR TYPE PRODUCT NUMBER
LP-3506-110C	3.5	6.0	7.0	11.5	70	45	350	1000	LPR-3506-110C
LP-3512-110C	3.5	12.0	7.0	11.5	180	75	500	1500	LPR-3512-110C
LP-3518-110C	3.5	18.0	7.0	10.0	280	105	800	2200	LPR-3518-110C
LP-6012-110C	6.0	12.0	7.5	10.5	242	110	750	2000	LPR-6012-110C
LP-6018-110C	6.0	18.0	7.5	10.5	320	160	1000	3000	LPR-6018-110C
LP-6024-110C	6.0	24.0	7.5	10.5	360	210	1500	4500	LPR-6024-110C
LP-8008-110C	8.0	8.0	10.0	13.0	360	266	900	3000	LPR-8008-110C
LP-8016-110C	8.0	16.0	10.0	13.0	420	370	1600	4800	LPR-8016-110C
LP-8024-110C	8.0	24.0	10.0	13.0	480	480	2400	7200	LPR-8024-110C