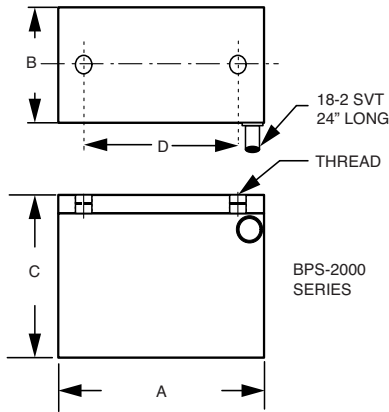
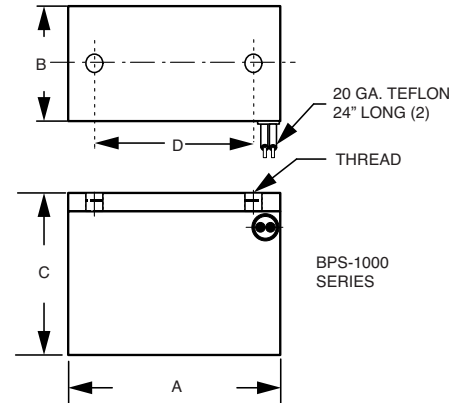


BPS Series PARALLEL POLE ELECTROMAGNETS

24 VOLT DC CONTINUOUS DUTY CYCLE



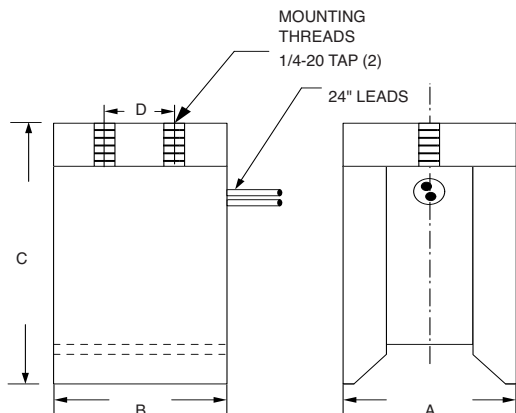
Parallel pole electromagnets offer a continuously magnetic surface along the length. This allows handling of parts with voids or irregular surfaces. These magnets can be used individually or in groups to provide the maximum flexibility in pick-up design.



PRODUCT NUMBER	DIMENSIONS-INCHES				MOUNTING THREADS	WATTS	WEIGHT (LBS)	POWER (LBS)
	A	B	C	D				
BPS-1020-24C	2	1	1.38	1.00	10-32	6.0	0.5	80
BPS-1030-24C	3	1	1.38	2.00	1/4-20	10.5	1.0	170
BPS-1040-24C	4	1	1.38	3.00	1/4-20	12.0	1.5	210
BPS-1060-24C	6	1	1.38	4.50	1/4-20	14.0	2.0	260
BPS-1080-24C	8	1	1.38	6.25	1/4-20	24.0	2.0	310
BPS-10120-24C	12	1	1.38	4.50	1/4-20	36.0	2.0	410
BPS-2040-24C	4	2	2.75	3.00	5/16-18	21.3	4.0	470
BPS-2060-24C	6	2	2.75	4.50	5/16-18	36.0	5.0	620
BPS-2080-24C	8	2	2.75	6.25	5/16-18	43.2	8.0	840
BPS-20120-24C	12	2	2.75	6.25	5/16-18	72.0	8.0	1200

BPV Series V-BLOCK STYLE FOR ROUNDS

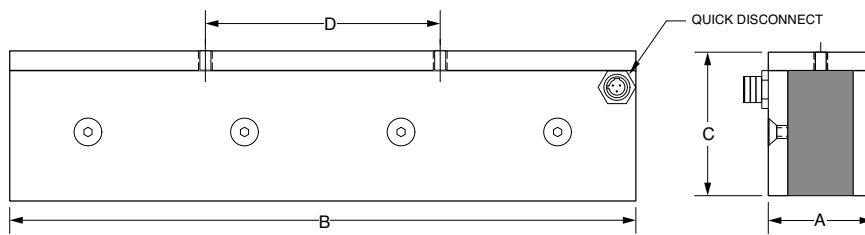
Widely used in electric motor manufacturing and centerless grinding applications. 24 Volt DC continuous duty V-block electromagnets are ruggedly built to withstand around the clock service. Other sizes and mounting configurations are available, please contact one of our engineers for assistance.



PRODUCT NUMBER	DIMENSIONS-INCHES				MOUNTING THREADS	WATTS	WEIGHT (LBS)	POWER (LBS)	DIA. CAPACITY (INCHES)
	B	A	C	D					
BPV-1020-24C	2.0	1.0	2.75	1.000	1/4-20	5.0	0.50	40	1.0" - 2.0" DIA.
BPV-1520-24C	2.0	1.5	2.75	1.000	1/4-20	11.1	1.00	85	1.5" - 2.5" DIA.
BPV-2020-24C	2.0	2.0	2.75	1.000	1/4-20	13.1	1.50	105	2.0" - 3.0" DIA.

BPF Series RECTANGULAR LIFTING MAGNETS

Parallel Pole Lifting Magnets For Bars and Sheet

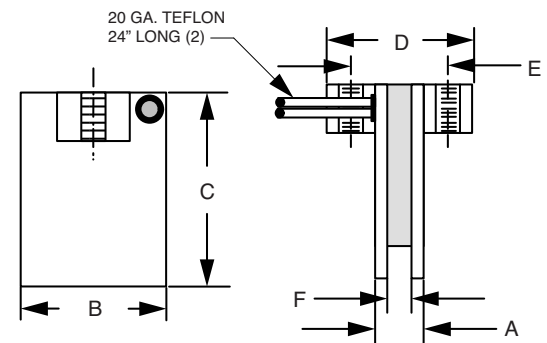


PRODUCT NUMBER	DIMENSIONS-INCHES				MOUNTING THREADS	WATTS	WEIGHT (LBS)	POWER (LBS)
	A	B	C	D				
BPF-10040M-24C	1.0	4.0	2.75	3.00	1/4-20	16	1.5	180
BPF-10060M-24C	1.0	6.0	2.75	4.00	1/4-20	24	2.0	240
BPF-10080M-24C	1.0	8.0	2.75	6.00	1/4-20	32	2.0	300
BPF-10120M-24C	1.0	12.0	2.75	8.00	1/4-20	48	2.0	440
BPF-15040M-24C	1.5	4.0	2.75	3.00	1/4-20	22	1.5	210
BPF-15060M-24C	1.5	6.0	2.75	4.00	1/4-20	36	2.0	260
BPF-15080M-24C	1.5	8.0	2.75	6.00	1/4-20	44	4.0	310
BPF-15120M-110C	1.5	12.0	2.75	8.00	1/4-20	66	6.0	510
BPF-15180M-110C	1.5	18.0	2.75	12.00	1/4-20	108	9.0	810
BPF-15240M-110C	1.5	24.0	2.75	12.00	1/4-20	140	12.0	1100
BPF-20040M-24C	2.0	4.0	2.75	3.00	5/16-18	32	4.0	470
BPF-20060M-24C	2.0	6.0	2.75	4.00	5/16-18	48	5.0	620
BPF-20080M-24C	2.0	8.0	2.75	6.00	5/16-18	64	8.0	940
BPF-20120M-110C	2.0	12.0	2.75	8.00	5/16-18	96	12.0	1200
BPF-20180M-110C	2.0	18.0	2.75	12.00	5/16-18	144	18.0	1600
BPF-20240M-110C	2.0	24.0	2.75	12.00	5/16-18	192	24.0	2000
BPF-20300M-110C	2.0	30.0	2.75	12.00	5/16-18	240	30.0	2400
BPF-20360M-110C	2.0	36.0	2.75	12.00	5/16-18	288	36.0	2800

BP Series Parallel Pole Electromagnets



These parallel pole electromagnets offer a narrow footprint. The magnetic surface may be machined to match parts with irregular contact surfaces. BP models must be mounted to non-magnetic materials and with non-ferrous fasteners. Provides the maximum flexibility in pick-up design. Other sizes available.



PRODUCT NUMBER	DIMENSIONS-INCHES						MOUNTING THREADS	WATTS	WEIGHT (LBS)	POWER (LBS)
	A	B	C	D	E	F				
BP-0520-24C	0.50	2	2.375	1.50	1.00	0.25	1/4-20	9	0.75	24
BP-0720-24C	0.75	2	2.875	1.75	1.25	0.50	1/4-20	12	1.00	50
BP-0730-24C	0.75	3	2.875	1.75	1.25	0.50	1/4-20	16	2.00	95