

# RECTANGULAR ELECTROMAGNETS

## 12, 24, & 110 VOLT DC CONTINUOUS DUTY CYCLE

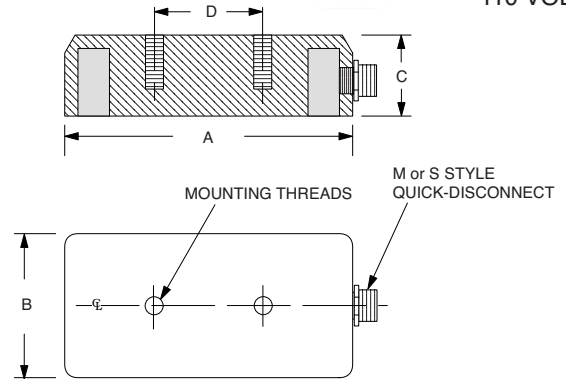
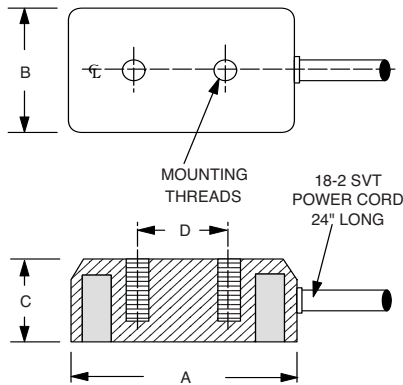


12 & 24 VOLT

Electromagnets are widely used for drilling, tapping and assembly fixturing. Magnets speed set-up and allow for precise alignment. Magnets also have uniform clamping pressure across the entire surface.



110 VOLT



**12 VOLT DC  
CONTINUOUS  
DUTY MODELS**

**24 VOLT DC  
CONTINUOUS  
DUTY MODELS**

**110 VOLT DC  
CONTINUOUS  
DUTY MODELS**

| PRODUCT NUMBER | DIMENSIONS-INCHES |     |      |      | MOUNTING THREADS | WATTS | WEIGHT (LBS) | POWER (LBS) |
|----------------|-------------------|-----|------|------|------------------|-------|--------------|-------------|
|                | A                 | B   | C    | D    |                  |       |              |             |
| EM-1525-12C    | 2.5               | 1.5 | 1.00 | 0.75 | 1/4-20           | 7.2   | 1.25         | 200         |
| ES-1525-12C    | 2.5               | 1.5 | 1.25 | 1.00 | 10-32            | 7.2   | 1.25         | 200         |
| EMS-1525-12C   | 2.5               | 1.5 | 1.00 | 1.00 | 10-32            | 7.2   | 1.25         | 200         |
| EM-2545-12C    | 4.5               | 2.5 | 2.00 | 2.00 | 1/4-20           | 20    | 5.0          | 500         |
| EM-3060-12C    | 6.0               | 3.0 | 2.00 | 1.50 | 3/8-16           | 35    | 9.0          | 1200        |
| EM-4080-12C    | 8.0               | 4.0 | 2.25 | 2.00 | 1/2-13           | 40    | 16.0         | 1500        |
| EMS-4080-12C   | 8.0               | 4.0 | 2.50 | 2.00 | 1/2-13           | 40    | 18.0         | 2000        |
| ES-4080-12C    | 8.0               | 4.0 | 2.50 | 4.00 | 3/8-16           | 40    | 18.0         | 2000        |
| EM-6012S-12C   | 12.0              | 6.0 | 3.50 | 3.00 | 1/2-13           | 36    | 53.0         | 3800        |
| EM-1525-24C    | 2.5               | 1.5 | 1.00 | 0.75 | 1/4-20           | 15    | 1.25         | 200         |
| ES-1525-24C    | 2.5               | 1.5 | 1.25 | 1.00 | 10-32            | 13    | 1.25         | 200         |
| EMS-1525-24C   | 2.5               | 1.5 | 1.00 | 1.00 | 10-32            | 15    | 1.25         | 200         |
| EM-2545-24C    | 4.5               | 2.5 | 2.00 | 2.00 | 1/4-20           | 26    | 5.0          | 600         |
| EM-3060-24C    | 6.0               | 3.0 | 2.00 | 1.50 | 3/8-16           | 32    | 9.0          | 1500        |
| EM-4080-24C    | 8.0               | 4.0 | 2.25 | 2.00 | 1/2-13           | 72    | 16.0         | 1500        |
| EMS-4080-24C   | 8.0               | 4.0 | 2.50 | 2.00 | 1/2-13           | 72    | 18.0         | 2200        |
| ES-4080-24C    | 8.0               | 4.0 | 2.50 | 4.00 | 3/8-16           | 72    | 18.0         | 2200        |
| EM-6012S-24C   | 12.0              | 6.0 | 3.50 | 3.00 | 1/2-13           | 96    | 53.0         | 4000        |
| EM-2545M-110C  | 4.5               | 2.5 | 2.00 | 2.00 | 1/4-20           | 24    | 5.0          | 700         |
| EM-3060M-110C  | 6.0               | 3.0 | 2.00 | 1.50 | 3/8-16           | 35    | 9.0          | 1500        |
| EM-4080S-110C  | 8.0               | 4.0 | 2.25 | 2.00 | 1/2-13           | 27    | 16.0         | 2000        |
| EMS-4080S-110C | 8.0               | 4.0 | 2.50 | 2.00 | 1/2-13           | 58    | 18.0         | 2500        |
| ES-4080S-110C  | 8.0               | 4.0 | 2.50 | 4.00 | 3/8-16           | 58    | 18.0         | 2500        |
| EM-6012S-110C  | 12.0              | 6.0 | 3.50 | 3.00 | 1/2-13           | 65    | 53.0         | 5000        |