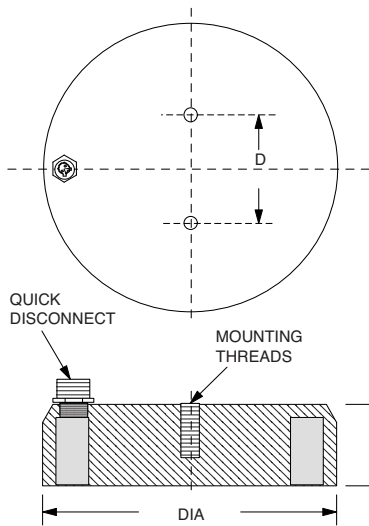
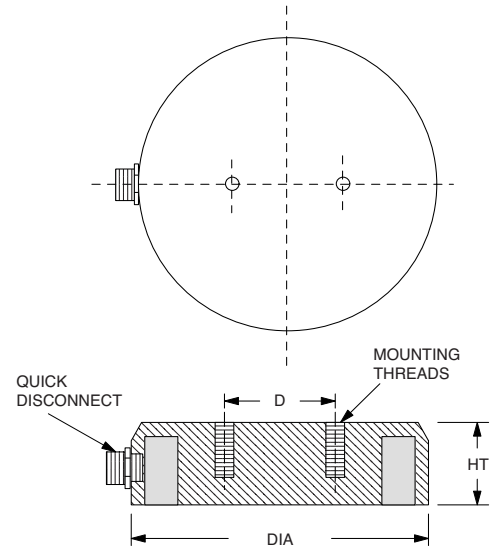


CIRCULAR ELECTROMAGNETS

110 VOLT DC CONTINUOUS DUTY CYCLE



DCA-400M-110C



CEA-500M-110C

CEA Series
CEA MODELS HAVE
TOP WIRE OUTLET

DCA Series
DCA MODELS HAVE
SIDE WIRE OUTLET

CEA-TYPE PRODUCT NUMBER	DIMENSIONS-(IN)			MOUNTING THREADS	WEIGHT WATTS (LBS)	POWER (LBS)	DCA-TYPE PRODUCT NUMBER
	DIA.	HT.	D				
CEA-300M-110C	3.0	2.00	1.0	1/4-20	20.0	3.9	DCA-300M-110C
CES-350M-110C	3.5	1.25	1.0	1/4-20	25.0	4.5	DCS-350M-110C
CEA-350M-110C	3.5	2.00	1.0	1/4-20	25.5	4.5	DCA-350M-110C
CES-400M-110C	4.0	1.25	1.0	1/4-20	31.0	7.0	DCS-400M-110C
CEA-400M-110C	4.0	2.00	1.0	1/4-20	30.3	7.0	DCA-400M-110C
CES-500M-110C	5.0	1.25	2.0	3/8-16	25.5	9.5	DCS-500M-110C
CEA-500M-110C	5.0	2.00	2.0	3/8-16	34.6	9.5	DCA-500M-110C
CEA-600M-110C	6.0	2.00	2.0	1/2-13	44.0	16.0	DCA-600M-110C
CE-600M-110C	6.0	3.00	2.0	1/2-13	44.0	16.0	DC-600M-110C
CEA-800S-110C	8.0	2.00	3.0	1/2-13	60.5	25.0	DCA-800S-110C
CE-800S-110C	8.0	4.00	3.0	1/2-13	49.0	25.0	DC-800S-110C
CEA-1000S-110C	10.0	2.50	3.0	5/8-11	60.5	45.0	DCA-1000S-110C

**110 VOLT DC
CONTINUOUS
DUTY MODELS**

PLEASE NOTE: A DISCONNECT CORD MUST BE ORDERED FOR EACH ELECTROMAGNET ON THIS PAGE UNLESS THE MODEL PURCHASED IS REPLACING AN EXISTING MAGNET.

AEC ELECTROMAGNETS ARE AVAILABLE IN OTHER VOLTAGES AND WITH CUSTOM FEATURES; MANY TYPES OF CORDSETS ARE ALSO AVAILABLE.

EXAMPLE: IF YOU ORDER: (1) DCA-500M-110C ELECTROMAGNET, YOU SHOULD ALSO ORDER ONE OF THE "M" STYLE DISCONNECTS SHOWN IN THE NEXT COLUMN.

M-TYPE MAGNET DISCONNECTS:

- H-4552-M 6' DISCONNECT CORD
- H-4553-M 12' DISCONNECT CORD

S-TYPE MAGNET DISCONNECTS:

- H-3214-M 3' DISCONNECT CORD
- H-3207-M 6' DISCONNECT CORD
- H-3208-M 12' DISCONNECT CORD