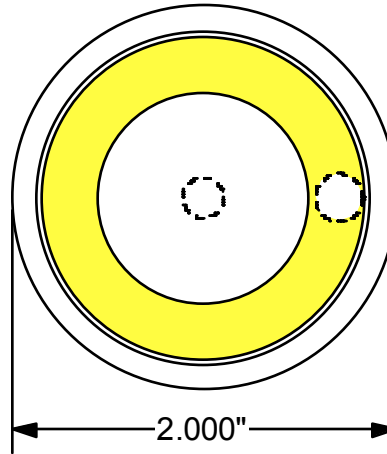




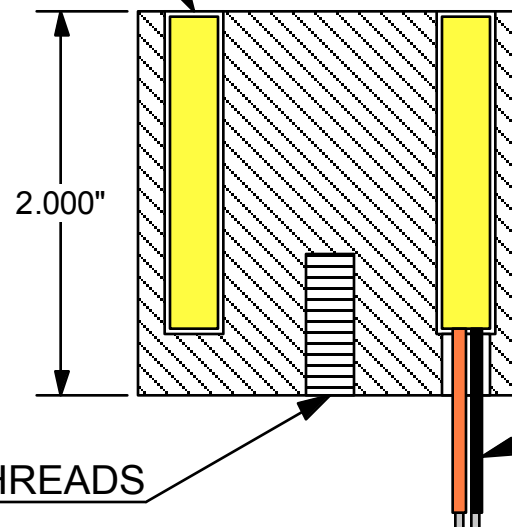
# MAGNETICS

AUTOMATIC EQUIPMENT CORPORATION  
4699 INTERSTATE DR. CINCINNATI, OHIO 45246  
PHONE: (800) 635-3954 FAX: (800) 635-3955  
E-MAIL: aec@aecmagnetics.com ON-LINE: www.aecmagnetics.com

**MAGNETIC SPECIALISTS FOR AUTOMATED MANUFACTURING**



EPOXY FILLED



MODEL# CE-200-24C  
INPUT: 24 VDC  
CURRENT: 13 WATTS  
DUTY CYCLE: CONTINUOUS  
HOLDING POWER: 230 lbs.

#24 GA. TEFLON  
24" LONG (2)

1/4-20, .7" DEEP THREADS

AUTOMATIC EQUIPMENT CORP.  
CE-200-24C  
CUST DWG  
05/23/13  
H-01052