

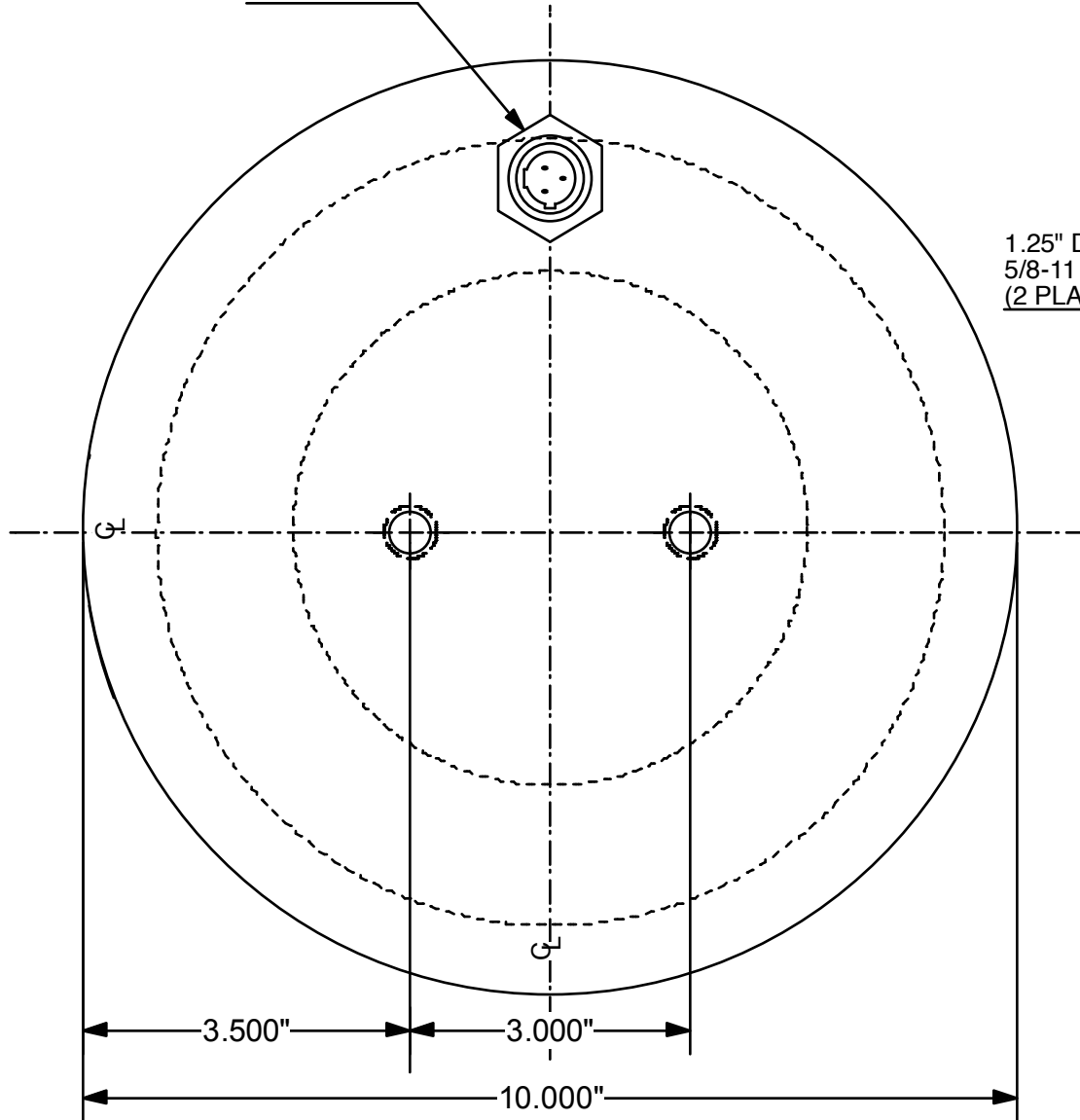


# MAGNETICS

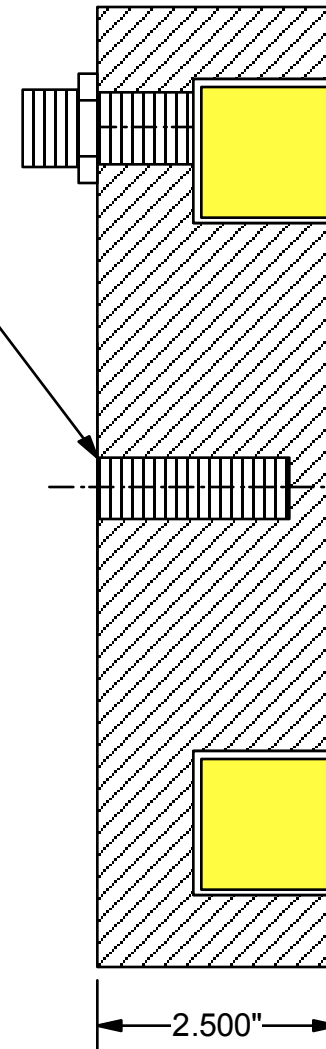
AUTOMATIC EQUIPMENT CORPORATION  
4699 INTERSTATE DR. CINCINNATI, OHIO 45246  
PHONE: (800) 635-3954 FAX: (800) 635-3955  
E-MAIL: aec@acemagnetics.com ON-LINE: www.acemagnetics.com

**MAGNETIC SPECIALISTS FOR AUTOMATED MANUFACTURING**

S STYLE  
QUICK DISCONNECT



1.25" DEEP  
5/8-11 TAP  
(2 PLACES)



MODEL: CEA-1000S-110C  
INPUT: 110 VDC  
CURRENT: 60.5 WATTS  
DUTY CYCLE: CONTINUOUS  
HOLDING POWER: 4700 LBS  
WEIGHT: 45 LBS.

EPOXY FILLED

AUTOMATIC EQUIPMENT CORP.  
CEA-1000S-110C  
CUST DWG  
06/04/13  
H-11786