

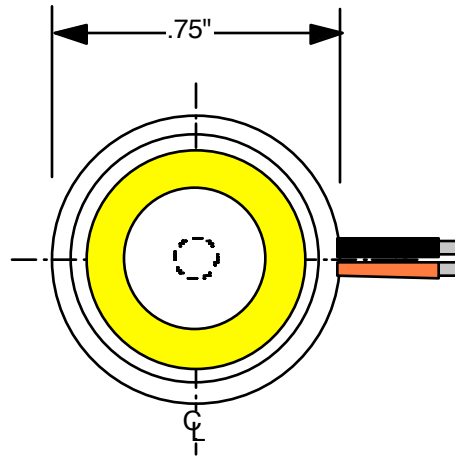


# MAGNETICS

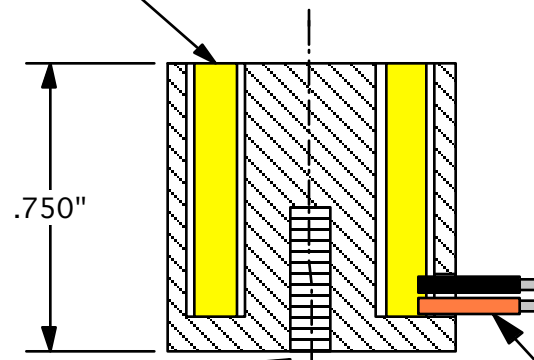
AUTOMATIC EQUIPMENT CORPORATION  
4699 INTERSTATE DR, CINCINNATI, OHIO 45246  
PHONE: (800) 635-3954 FAX: (800) 635-3955

E-MAIL: [aec@aecmagnetics.com](mailto:aec@aecmagnetics.com) ON-LINE: [www.aecmagnetics.com](http://www.aecmagnetics.com)

**MAGNETIC SPECIALISTS FOR AUTOMATED MANUFACTURING**



EPOXY FILLED



24" LEADS  
#24 GAUGE TEFLON

6-32, 5/16" DEEP THREADS

INPUT: 24VDC  
CURRENT: 3.8 WATTS  
DUTY CYCLE: CONTINUOUS  
HOLDING POWER: 9 LBS.

AUTOMATIC EQUIPMENT CORPORATION  
DC-075-24C  
CUST DWG  
05/22/13  
H-11975