

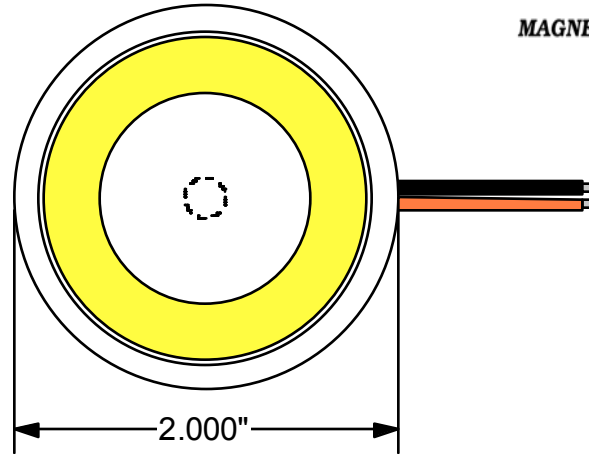


MAGNETICS

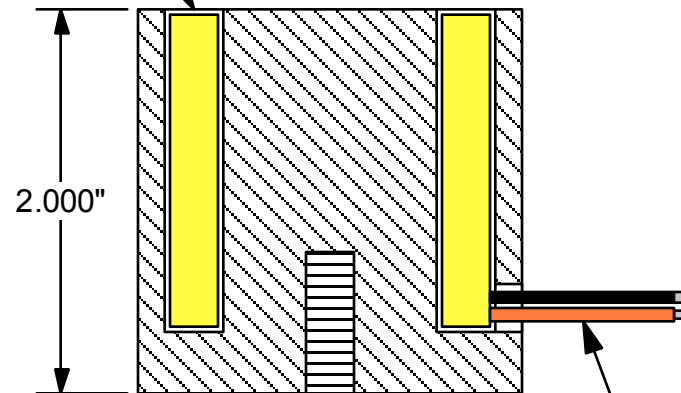
AUTOMATIC EQUIPMENT CORPORATION
4699 INTERSTATE DR. CINCINNATI, OHIO 45246
PHONE: (800) 635-3954 FAX: (800) 635-3955

E-MAIL: aec@aecmagnetics.com ON-LINE: www.aecmagnetics.com

MAGNETIC SPECIALISTS FOR AUTOMATED MANUFACTURING



EPOXY FILLED



INPUT: 12 VDC
CURRENT: 4.5 WATTS
DUTY CYCLE: CONTINUOUS
HOLDING POWER: 170 lbs.

1/4-20, .7" DEEP THREADS

#24 GA. TEFLON
24" LONG (2)

AUTOMATIC EQUIPMENT CORP.
DC-200-12C
CUST DWG
05/28/13
H-12622