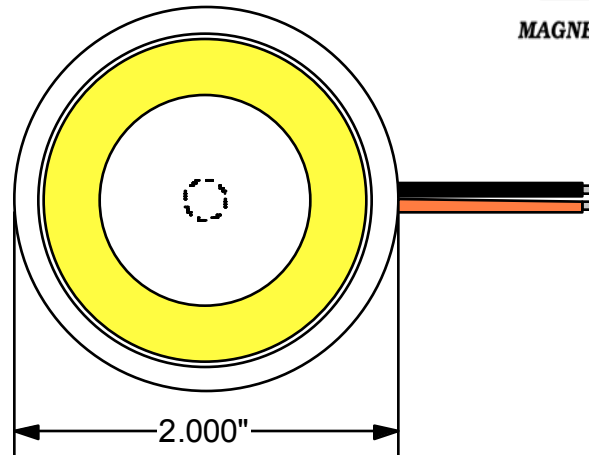




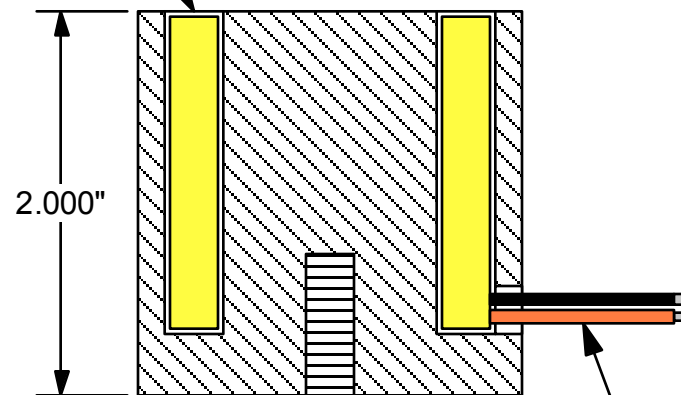
MAGNETICS

AUTOMATIC EQUIPMENT CORPORATION
4699 INTERSTATE DR. CINCINNATI, OHIO 45246
PHONE: (800) 635-3954 FAX: (800) 635-3955
E-MAIL: aec@aecmagnetics.com ON-LINE: www.aecmagnetics.com

MAGNETIC SPECIALISTS FOR AUTOMATED MANUFACTURING



EPOXY FILLED



1/4-20, .7" DEEP THREADS

#24 GA. TEFLON
24" LONG (2)

MODEL# CE-200-24C
INPUT: 24 VDC
CURRENT: 13 WATTS
DUTY CYCLE: CONTINUOUS
HOLDING POWER: 230 lbs.

AUTOMATIC EQUIPMENT CORP.
DC-200-24C
CUST DWG
05/23/13
H-12635