



MAGNETICS

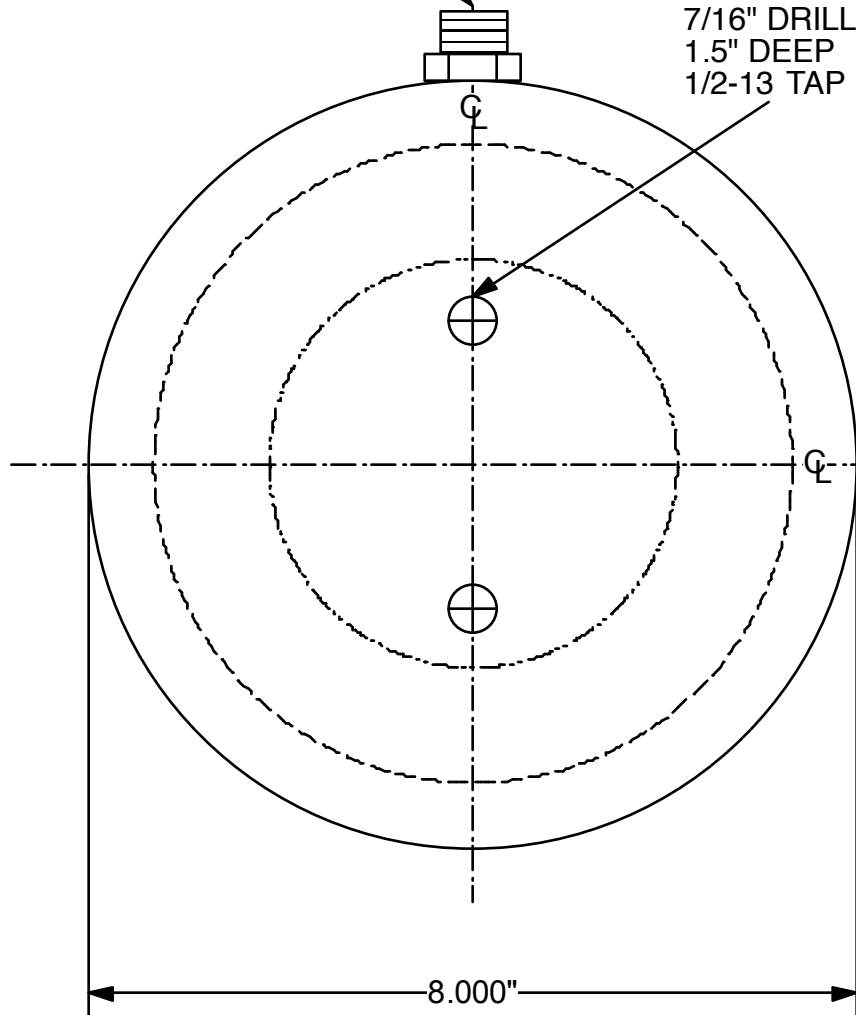
AUTOMATIC EQUIPMENT CORPORATION
4699 INTERSTATE DR, CINCINNATI, OHIO 45246
PHONE: (800) 635-3954 FAX: (800) 635-3955

E-MAIL: aec@acemagnetics.com ON-LINE: www.acemagnetics.com

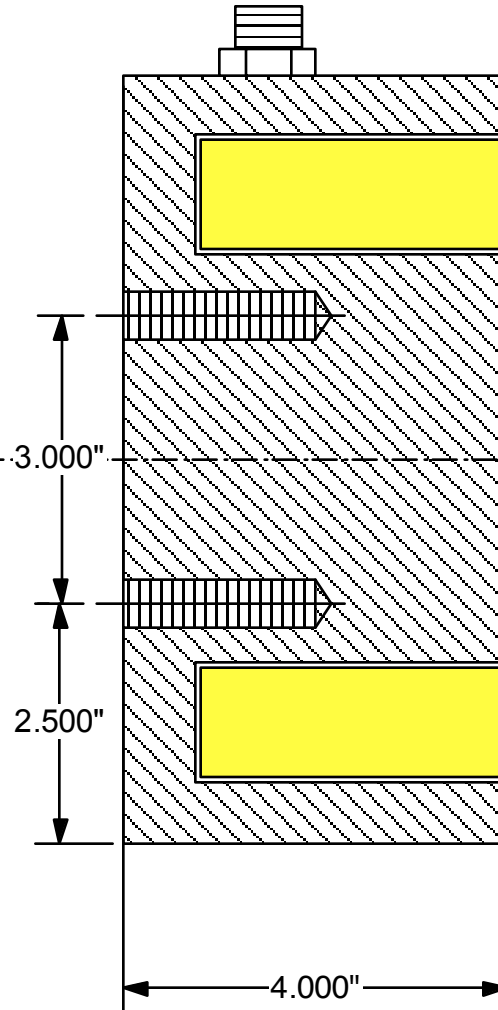
MAGNETIC SPECIALISTS FOR AUTOMATED MANUFACTURING

S STYLE
QUICK DISCONNECT

7/16" DRILL
1.5" DEEP
1/2-13 TAP



MODEL:DC-800S-110C
VOLTAGE: 110 VDC
CURRENT: 49 WATTS
DUTY CYCLE: CONTINUOUS
HOLDING POWER: 4000 LBS



EPOXY FILLED

AUTOMATIC EQUIPMENT CORP
DC-800S-110C
CUST DWG
07/11/13
H-12918