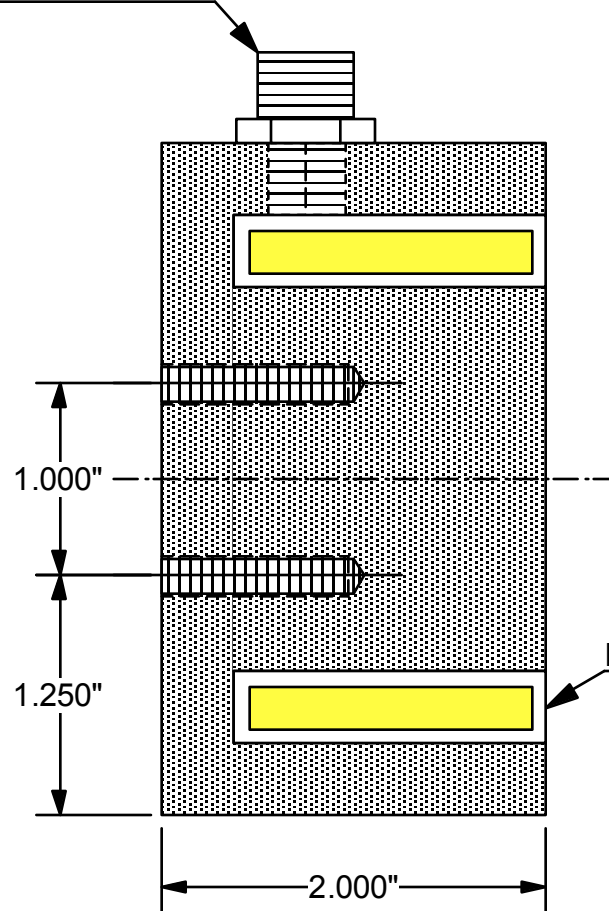
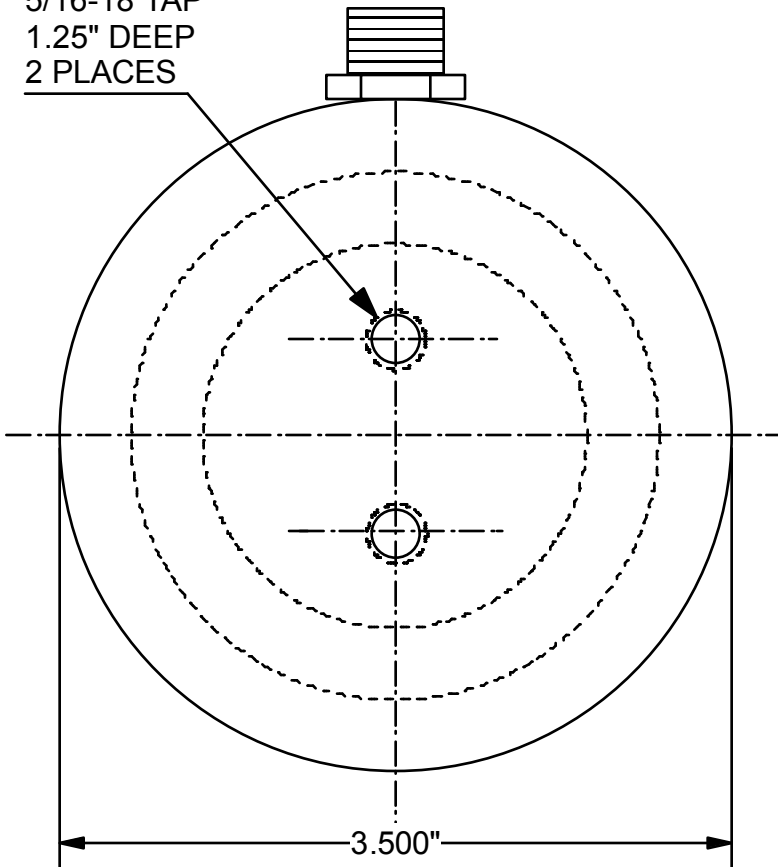


M STYLE
 QUICK DISCONNECT

5/16-18 TAP
 1.25" DEEP
 2 PLACES



MODEL# DCX-350-0012
 VOLTAGE: 110 VDC
 CURRENT: 25.5 WATTS
 DUTY CYCLE: CONTINUOUS
 HOLDING POWER: 700 LBS
 WEIGHT: 4.5 LBS

NITRIDING OXIDIZING PROTECTION
 ON ENTIRE MAGNET BODY TO
 PREVENT WEAR AND CORROSION

AUTOMATIC EQUIPMENT CORP.
 DCX-350-0012
 CUST DWG
 01/27/14
 H-12970