



# MAGNETICS

AUTOMATIC EQUIPMENT CORPORATION  
4699 INTERSTATE DR. CINCINNATI, OHIO 45246  
PHONE: (800) 635-3954 FAX: (800) 635-3955

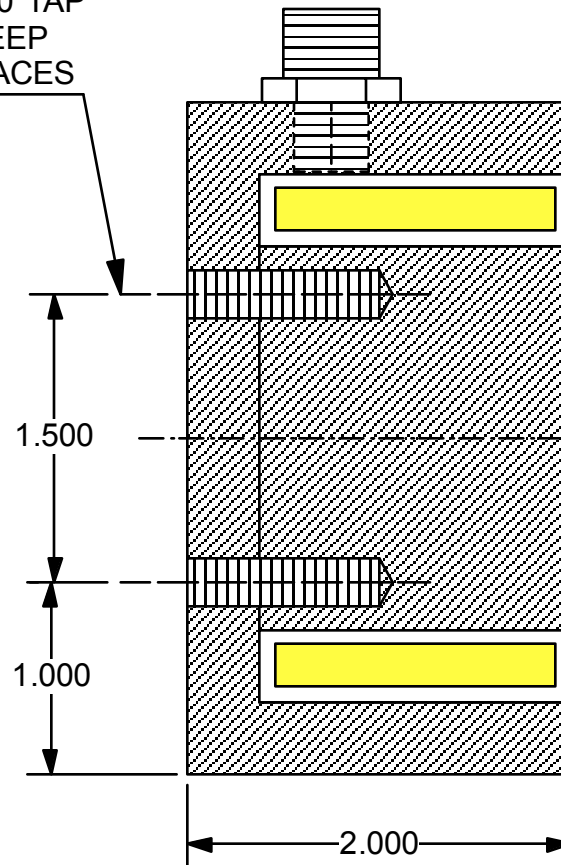
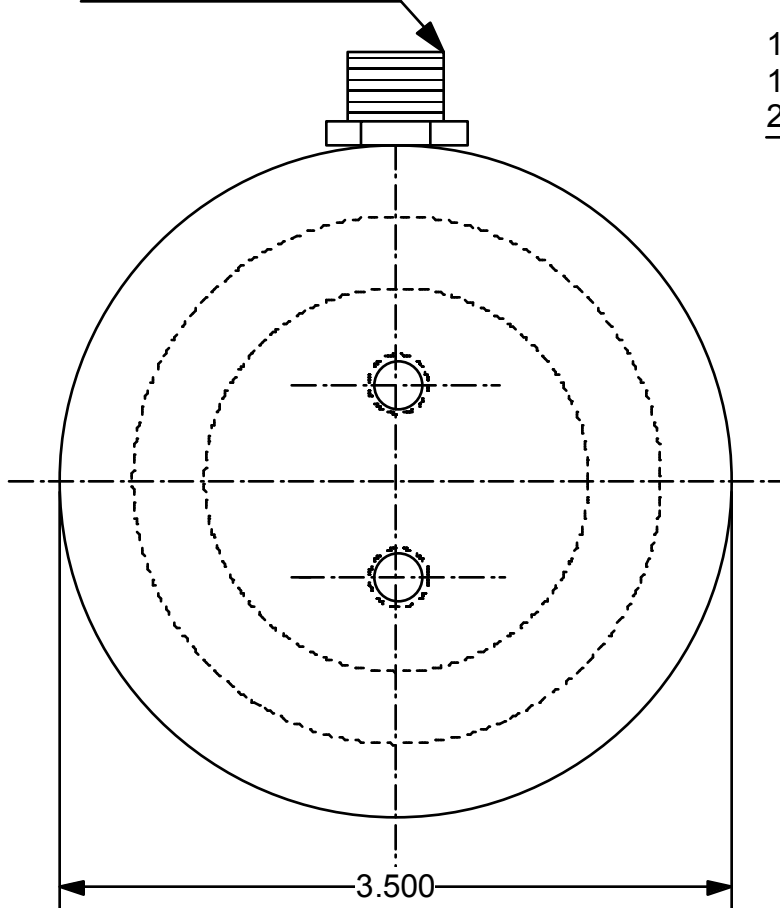
E-MAIL: aec@acmagnetics.com ON-LINE: www.acmagnetics.com

**MAGNETIC SPECIALISTS FOR AUTOMATED MANUFACTURING**

M STYLE  
QUICK DISCONNECT

1/4-20 TAP  
1" DEEP  
2 PLACES

MODEL# DCX-350-0014  
VOLTAGE: 110 VDC  
CURRENT: 25.5 WATTS  
DUTY CYCLE: CONTINUOUS  
HOLDING POWER: 700 LBS  
WEIGHT: 4.5 LBS



NITROTECH CASE

EPOXY FILLED

AUTOMATIC EQUIPMENT CORP.

DCX-350-0014

CUST DWG

10/17/13

H-13106