

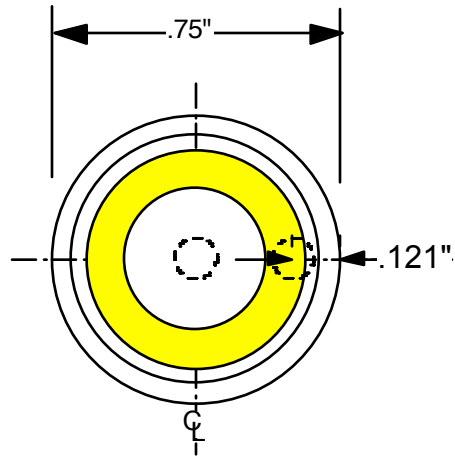


# MAGNETICS

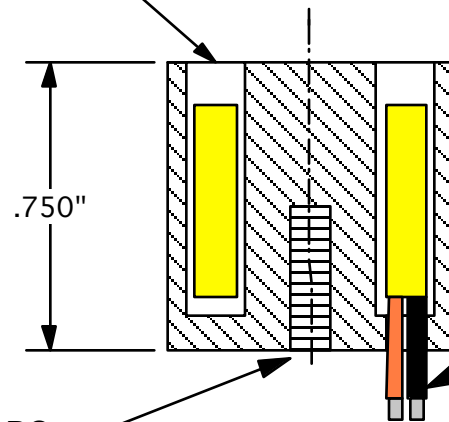
AUTOMATIC EQUIPMENT CORPORATION  
4699 INTERSTATE DR, CINCINNATI, OHIO 45246  
PHONE: (800) 635-3954 FAX: (800) 635-3955

E-MAIL: aec@aecmagnetics.com ON-LINE: www.aecmagnetics.com

**MAGNETIC SPECIALISTS FOR AUTOMATED MANUFACTURING**



EPOXY FILLED



24" LEADS, #24 GAUGE TEFLON

6-32, 5/16" DEEP THREADS

MODEL# CE-075-12C  
INPUT: 12 VDC  
CURRENT: 2.4 WATTS  
HOLDING POWER: 7 LBS.

AUTOMATIC EQUIPMENT CORPORATION  
CE-075-12C  
CUST DWG  
SCALE: 1" = 1/2" 05/22/13  
H-12672