

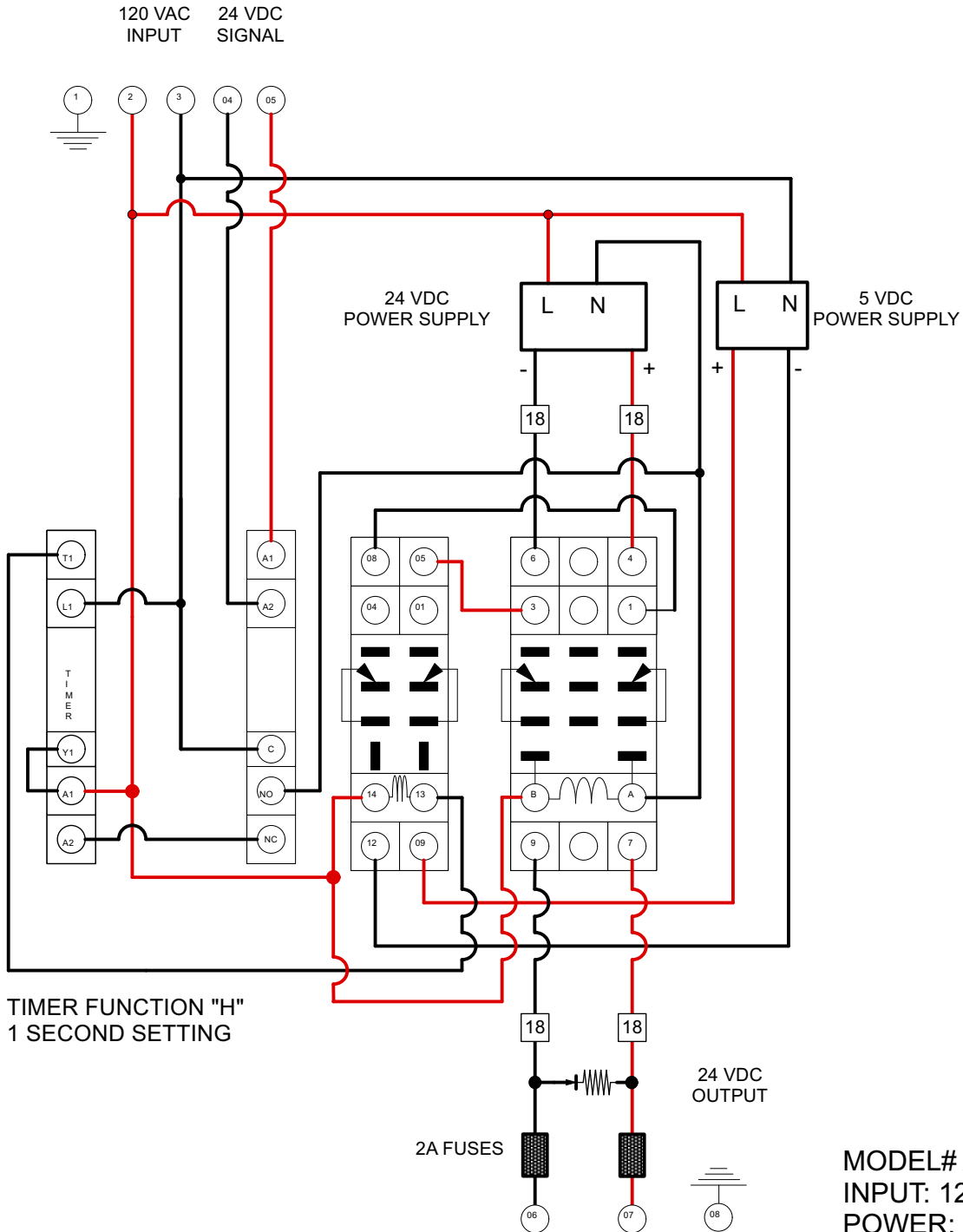
CONNECTIONS:

- 01 GROUND
- 02 LINE 120 VAC
- 03 NEUTRAL 120 VAC
- 04 SIGNAL -0 VDC
- 05 SIGNAL +24 VDC
- 06 OUTPUT -24 VDC
- 07 OUTPUT +24 VDC

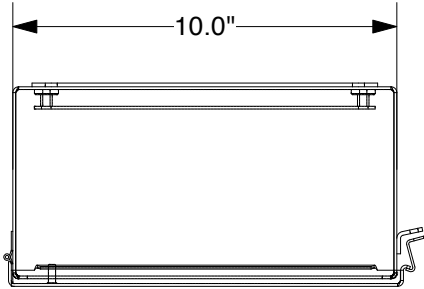


INSTRUCTIONS:

Maintain power to input, 120 VAC  
 Supply 24 VDC to signal terminals to activate magnets.  
 Remove 24 VDC signal for "RELEASE".

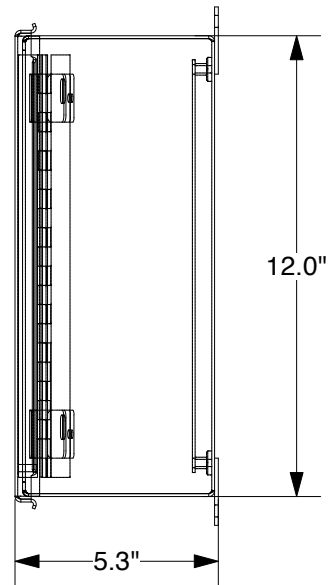
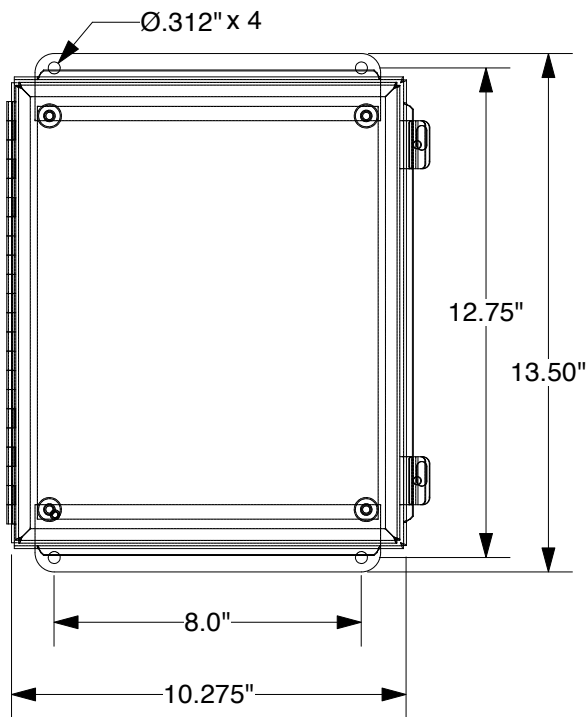


MODEL# AP4-024-0060D  
 INPUT: 120 VAC  
 POWER: 60 WATTS  
 OUTPUT: 24 VDC  
 CONTINUOUS DUTY



# HOFFMAN ENCLOSURES, INC. A1210CH

(DATA SUBJECT TO CHANGE WITHOUT NOTICE)



HOFFMAN ENCLOSURE
AUTOMATIC EQUIPMENT
DRAWN BY:
SCALE: N/A      DATE: 10/11/02
DRAWING NO. H-4355