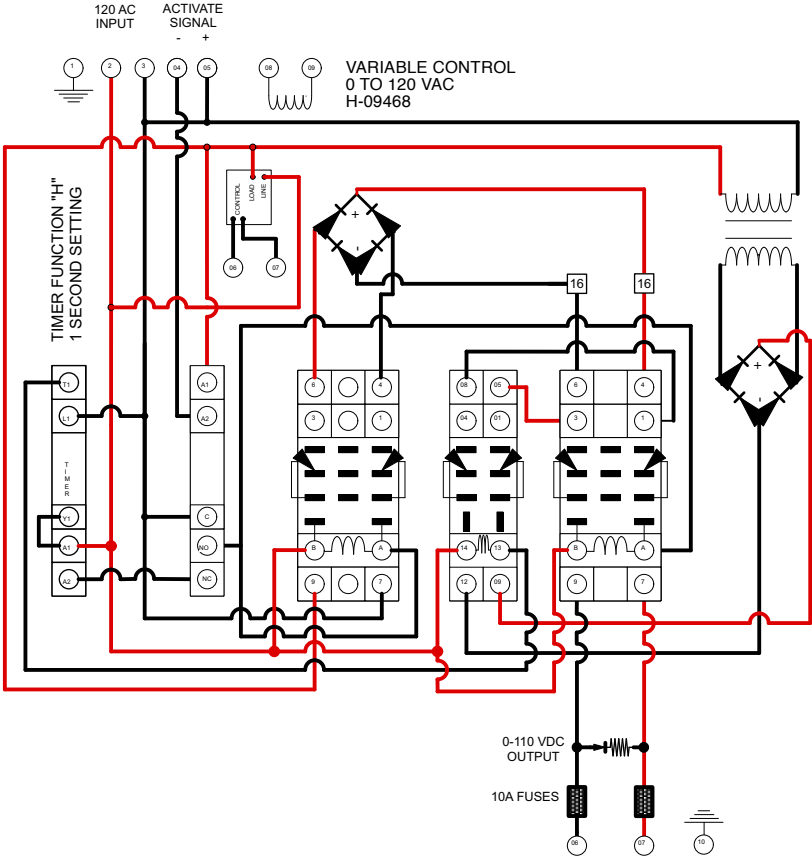
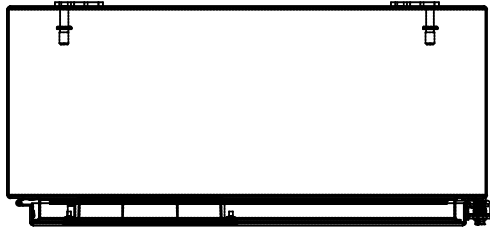


CONNECTIONS:

- 01 GROUND
- 02 LINE 120 VAC
- 03 NEUTRAL 120 VAC
- 04 SIGNAL O NO VOLTAGE
- 05 SIGNAL I NO VOLTAGE
- 06 OUTPUT -110 VDC
- 07 OUTPUT +110 VDC
- 08 VOLTAGE CONTROL
- 09 VOLTAGE CONTROL
- 10 GROUND

MODEL# AP4V-110-1000A
 INPUT: 120 AC
 POWER: 1000 WATTS
 OUTPUT: 0-110 VDC
 CONTINUOUS DUTY





HOFFMAN
A242008LP

(DATA SUBJECT TO CHANGE WITHOUT NOTICE)

