

# CIRCULAR ELECTROMAGNETIC LIFTS

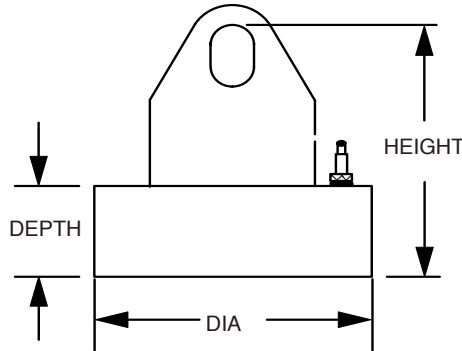
## 110 VOLT DC CONTINUOUS DUTY

**FEATURES:**

- FULL WELDED CONSTRUCTION
- ALL COPPER WOUND COILS
- CLASS H INSULATION THROUGHOUT
- STAINLESS STEEL FACE PLATES ARE
- STANDARD ON THE 8", 10", 12", AND 16"
- LIFTS AND OPTIONAL ON OTHERS



LCR TYPE LIFT HAS THE MANUAL POWER SUPPLY WITH AN "ON-OFF-RELEASE" SWITCH MOUNTED DIRECTLY ON THE MAGNET



LC TYPE LIFT UTILIZING A REMOTE POWER SUPPLY

**MAXIMUM PLATE SIZE FOR ONE LC MAGNET**

		<b>THICKNESS</b>
LC-600	2' X 4'	12 GA. - 3.5"
LC-800	3' X 5'	12 GA. - 4.0"
LC-1000	4' X 6'	12 GA. - 4.5"
LC-1200	5' X 7'	.250" - 4.5"

PRODUCT NUMBER	DIMENSIONS-(IN)			INPUT	WATTS	CORD	WEIGHT (LBS)	MAX LOAD WORKING
	DIA.	DEPTH	HT.					
LC-600-110C	6.0	3.00	7.5	110 VDC	44	M-STYLE	22	750
LC-800-110C	8.0	4.00	9.0	110 VDC	80	S-STYLE	50	2000
LC-1000-110C	10.0	4.25	13.5	110 VDC	240	S-STYLE	100	3000
LC-1200-110C	12.0	4.25	13.5	110 VDC	403	S-STYLE	138	4000
LC-1600-110C	16.0	4.25	18.7	110 VDC	480	S-STYLE	330	8000

PRODUCT NUMBER	DIMENSIONS-(IN)			INPUT	WATTS	CORD	WEIGHT (LBS)	MAX LOAD WORKING
	DIA.	DEPTH	HT.					
LCR-600-110C	6.0	3.00	7.5	120 VAC	44	AC PLUG	22	750
LCR-800-110C	8.0	4.00	9.0	120 VAC	80	AC PLUG	50	2000
LCR-1000-110C	10.0	4.25	13.5	120 VAC	240	AC PLUG	100	3000
LCR-1200-110C	12.0	4.25	13.5	120 VAC	403	AC PLUG	138	4000
LCR-1600-110C	16.0	4.25	18.7	120 VAC	480	AC PLUG	330	8000