

**INSTALLATION:**

Use threaded holes in the back of electromagnet to mount.

Apply 24 Volts DC to leads. Polarity is unimportant as electromagnets work equally well in forward or reverse polarity.

**MAINTENANCE INSTRUCTIONS:**

Electromagnets require very little maintenance to provide a long useful life. Daily use of a shop towel to wipe the face of the magnet free of debris, grease and oil or other foreign matter will ensure years of service life and thousands of safe lifts.



**MAGNETICS**

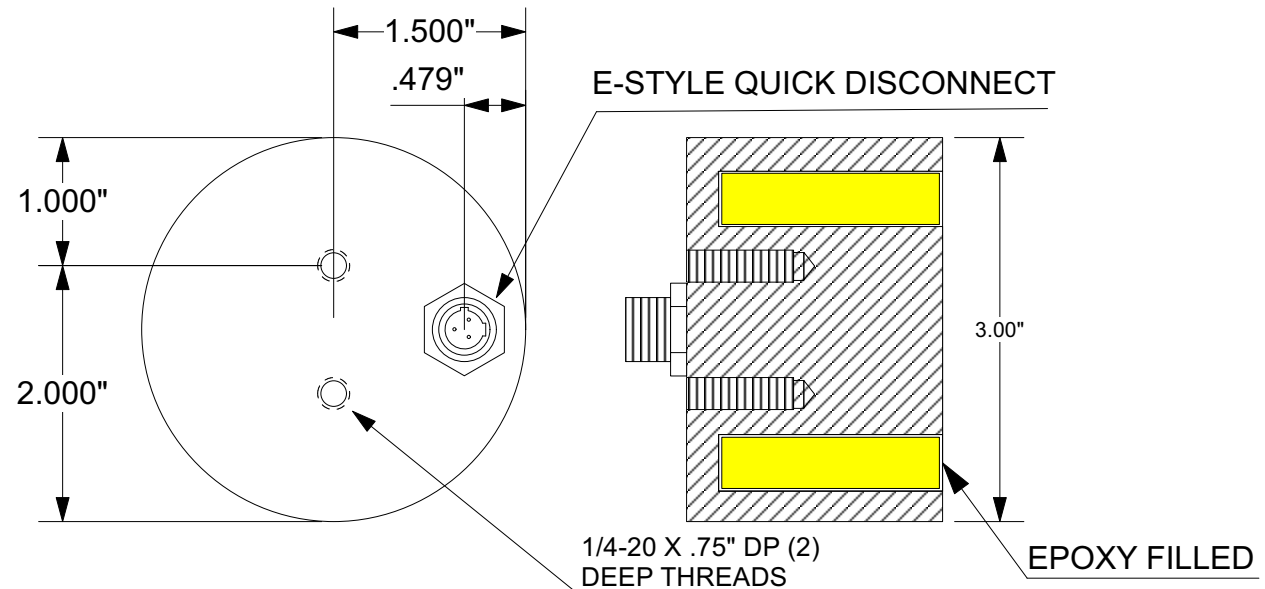
AUTOMATIC EQUIPMENT CORPORATION  
4699 INTERSTATE DR. CINCINNATI, OHIO 45246  
PHONE: (800) 635-3954 FAX: (800) 635-3955

E-MAIL: aec@aecmagnetics.com ON-LINE: www.aecmagnetics.com

**MAGNETIC SPECIALISTS FOR AUTOMATED MANUFACTURING**

BROWN & BLUE 24 VDC  
BLACK GROUND  
WHITE NULL

MODEL: CEA-300E-24C  
VOLTAGE: 24 VDC  
POWER: 21 WATTS  
DUTY CYCLE: CONTINUOUS  
HOLDING POWER: 420 LBS



IF YOU HAVE ANY QUESTIONS ABOUT THIS MAGNET OR THE CORRESPONDING DC POWER SUPPLY, PLEASE CALL OUR ENGINEERING DEPARTMENT FOR ASSISTANCE: (1-800-635-3954)

AUTOMATIC EQUIPMENT CORP.  
CEA-300E-24C  
CUST DWG  
01/05/22  
H-15426