

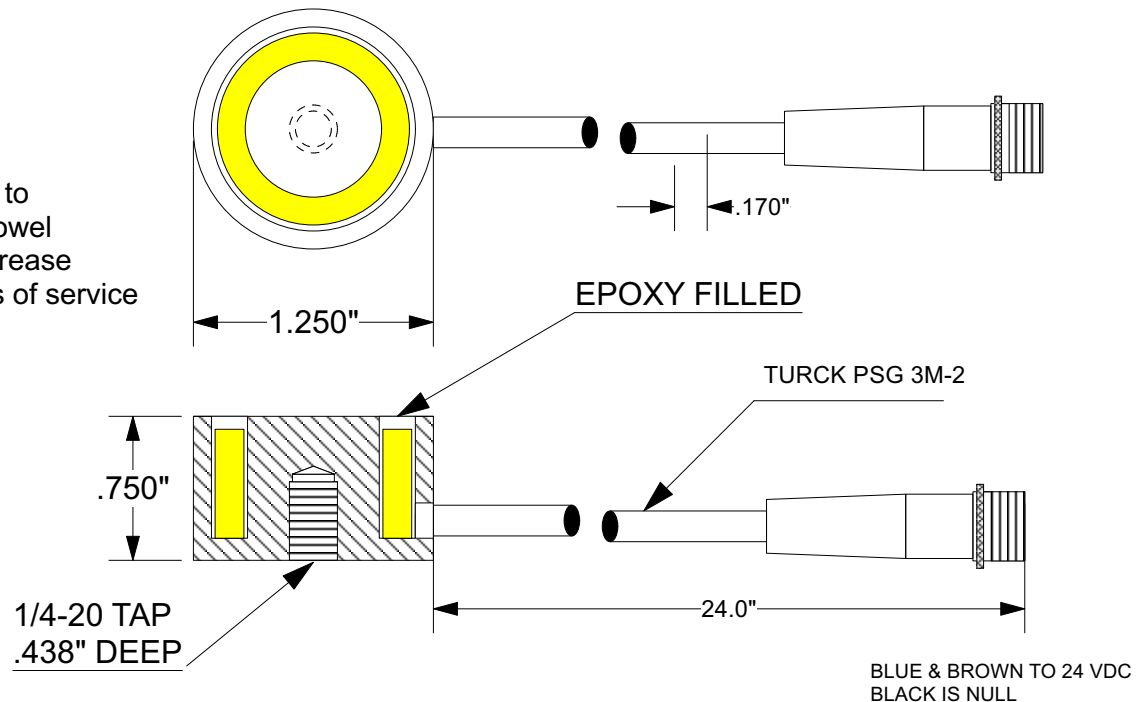
INSTALLATION:

Use threaded holes in the back of electromagnet to mount.
 Apply 24 Volts DC to leads. Polarity is unimportant
 as electromagnets work equally well in forward or
 reverse polarity.

VOLTAGE: 24VDC
 CURRENT: 5.3 WATTS
 DUTY CYCLE: CONTINUOUS
 HOLDING POWER: 60 LBS

MAINTENANCE INSTRUCTIONS:

Electromagnets require very little maintenance to
 provide a long useful life. Daily use of a shop towel
 to wipe the face of the magnet free of debris, grease
 and oil or other foreign matter will ensure years of service
 life and thousands of safe lifts.



IF YOU HAVE ANY QUESTIONS ABOUT THIS MAGNET OR THE CORRESPONDING
 DC POWER SUPPLY, PLEASE CALL OUR ENGINEERING DEPARTMENT FOR
 ASSISTANCE: (1-800-635-3954)

AUTOMATIC EQUIPMENT CORPORATION
 DCA-125T-24C
 CUST DWG
 01/20/22
 H-15452