

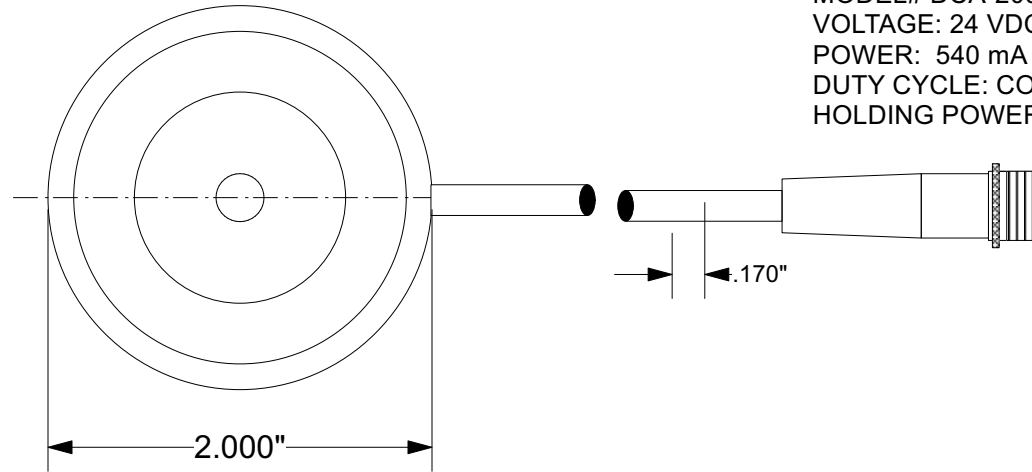
INSTALLATION:

THE T-STYLE DISCONNECT MATES WITH ANY OF OUR T-STYLE CORDS. APPLY 24 VDC TO THE BLUE AND BROWN LEADS AND THE BLACK IS NULL.

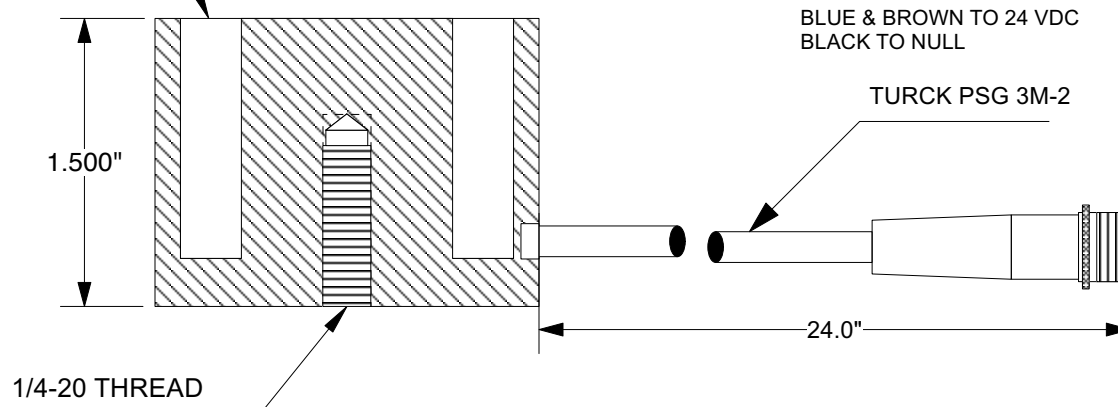
MAINTENANCE INSTRUCTIONS:

ELECTROMAGNETS REQUIRE VERY LITTLE MAINTENANCE TO PROVIDE A LONG USEFUL LIFE. DAILY USE OF A SHOP TOWEL TO WIPE THE FACE OF THE MAGNET FREE OF DEBRIS, GREASE AND OIL OR OTHER FOREIGN MATTER WILL ENSURE YEARS OF SERVICE LIFE AND THOUSANDS OF SAFE LIFTS.

MODEL# DCA-200T-24C
VOLTAGE: 24 VDC
POWER: 540 mA
DUTY CYCLE: CONTINUOUS
HOLDING POWER: 220 LBS



EPOXY FILLED



IF YOU HAVE ANY QUESTIONS ABOUT THIS MAGNET OR THE CORRESPONDING DC POWER SUPPLY, PLEASE CALL OUR ENGINEERING DEPARTMENT FOR ASSISTANCE: (1-800-635-3954)

AUTOMATIC EQUIPMENT CORP
DCA-200T-24C
CUST DWG
01/20/22
H-15450