

**INSTALLATION:**

Use threaded holes in the back of electromagnet to mount.

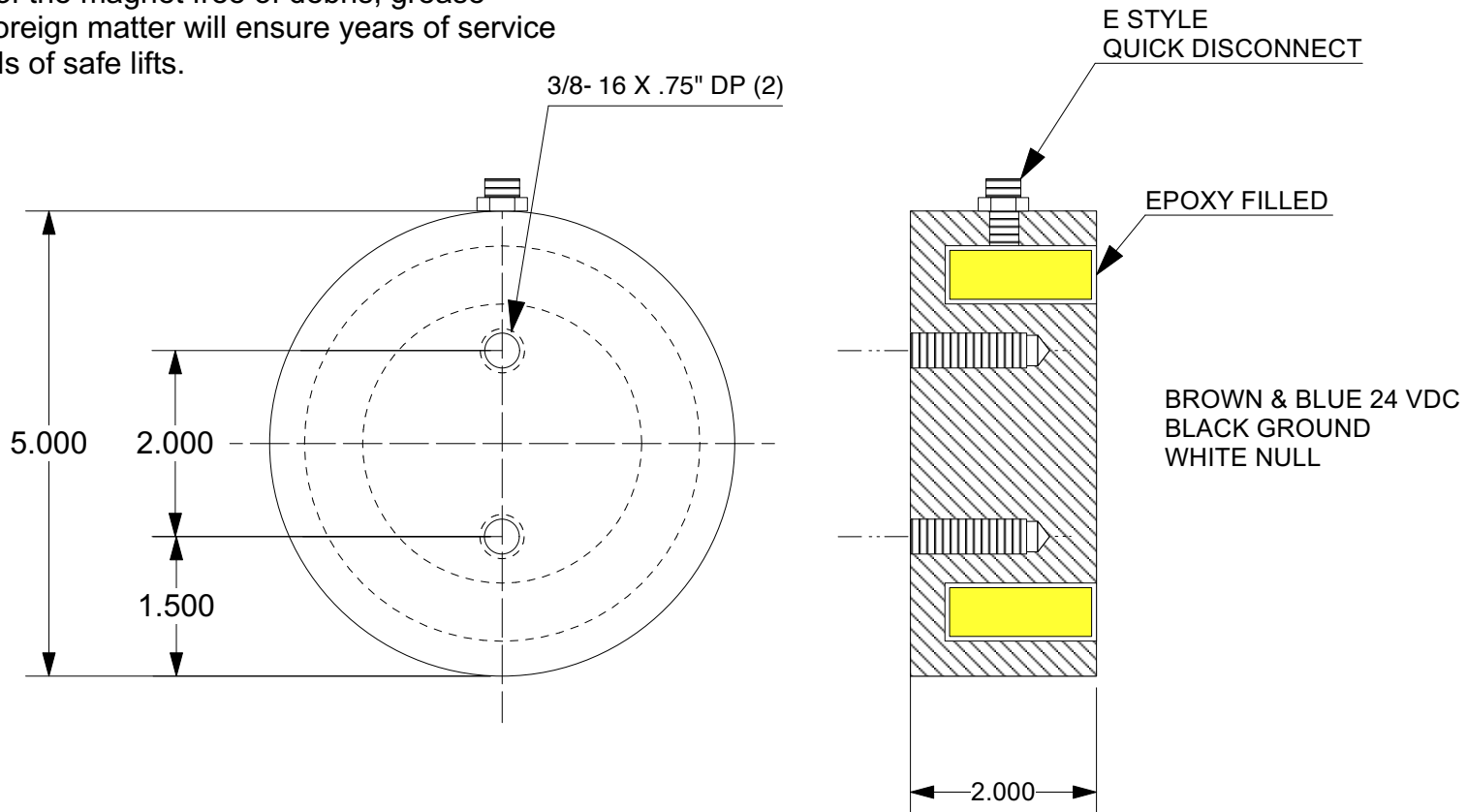
Apply 24 Volts DC to leads. Polarity is unimportant as electromagnets work equally well in forward or reverse polarity.

**MAINTENANCE INSTRUCTIONS:**

Electromagnets require very little maintenance to provide a long useful life. Daily use of a shop towel to wipe the face of the magnet free of debris, grease and oil or other foreign matter will ensure years of service life and thousands of safe lifts.



MODEL: DCA-500E-24C  
VOLTAGE: 24 VDC  
POWER: 44 WATTS  
DUTY CYCLE: CONTINUOUS  
HOLDING POWER: 1900 LBS



IF YOU HAVE ANY QUESTIONS ABOUT THIS MAGNET OR THE CORRESPONDING DC POWER SUPPLY, PLEASE CALL OUR ENGINEERING DEPARTMENT FOR ASSISTANCE: (1-800-635-3954)

AUTOMATIC EQUIPMENT CORPORATION  
DCA-500E-24C  
CUST DWG  
01/06/22  
H-15440