

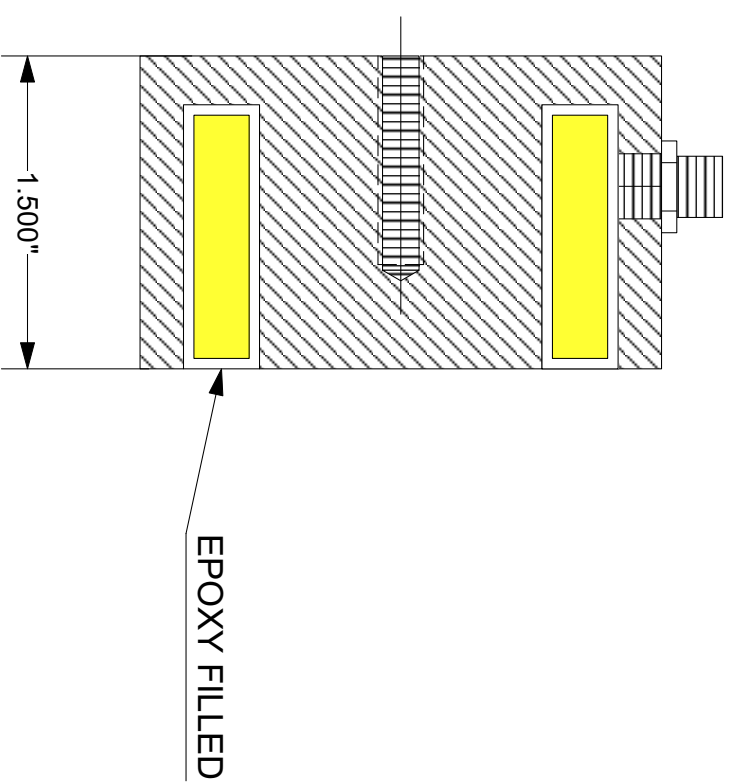
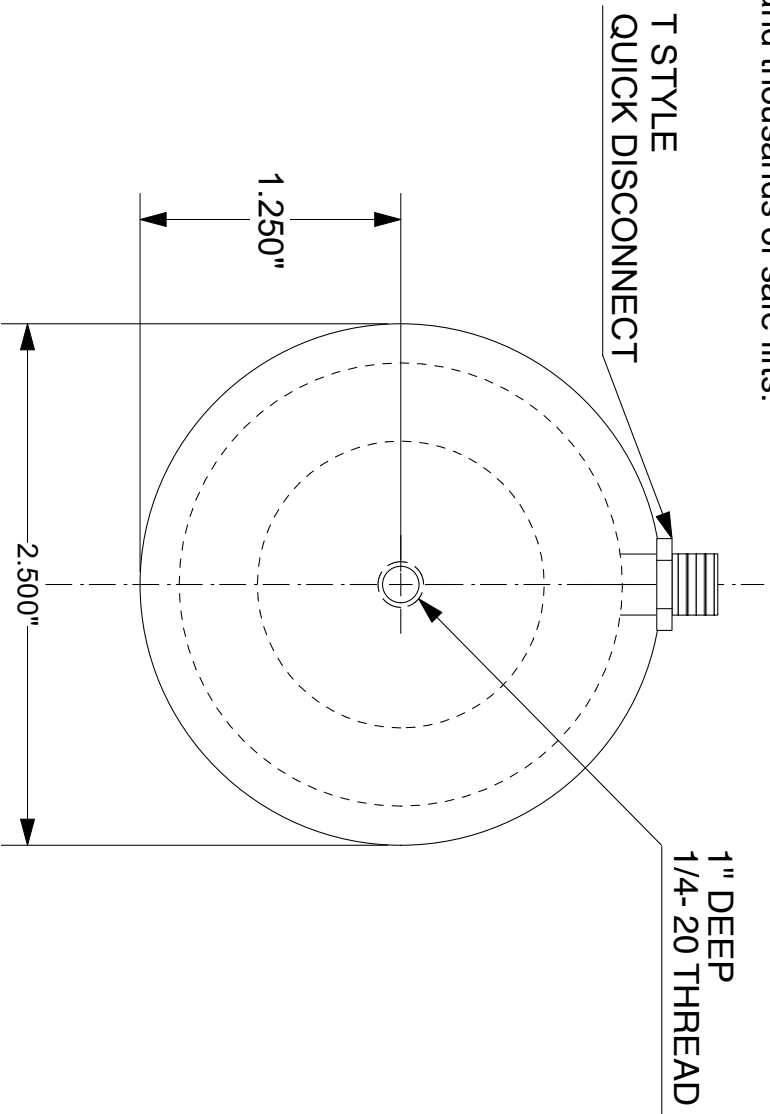
INSTALLATION:

Use threaded holes in the back of electromagnet to mount.

Apply 24 Volts DC to leads. Polarity is unimportant as electromagnets work equally well in forward or reverse polarity.

MAINTENANCE INSTRUCTIONS:

Electromagnets require very little maintenance to provide a long useful life. Daily use of a shop towel to wipe the face of the magnet free of debris, grease and oil or other foreign matter will ensure years of service life and thousands of safe lifts.



BLUE & BROWN TO 24 VDC
BLACK NULL

MODEL: DS-250T-24C
VOLTAGE: 24VDC
CURRENT: 10 WATTS
DUTY CYCLE: CONTINUOUS
HOLDING POWER: 300 LBS



MAGNETICS
AUTOMATIC EQUIPMENT CORPORATION
4699 INTERSTATE DR. CINCINNATI, OHIO 45246
PHONE: (800) 635-3954 FAX: (800) 635-3955
E-MAIL: aec@acemagnetics.com ON-LINE: www.acemagnetics.com
MAGNETIC SPECIALISTS FOR AUTOMATED MANUFACTURING

IF YOU HAVE ANY QUESTIONS ABOUT THIS MAGNET OR THE CORRESPONDING
DC POWER SUPPLY, PLEASE CALL OUR ENGINEERING DEPARTMENT FOR
ASSITANCE: (1-800-635-3954)

AUTOMATIC EQUIPMENT CORP.

DS-250T-24C
CUST DWG
02/19/13
H-12647