

INSTALLATION:

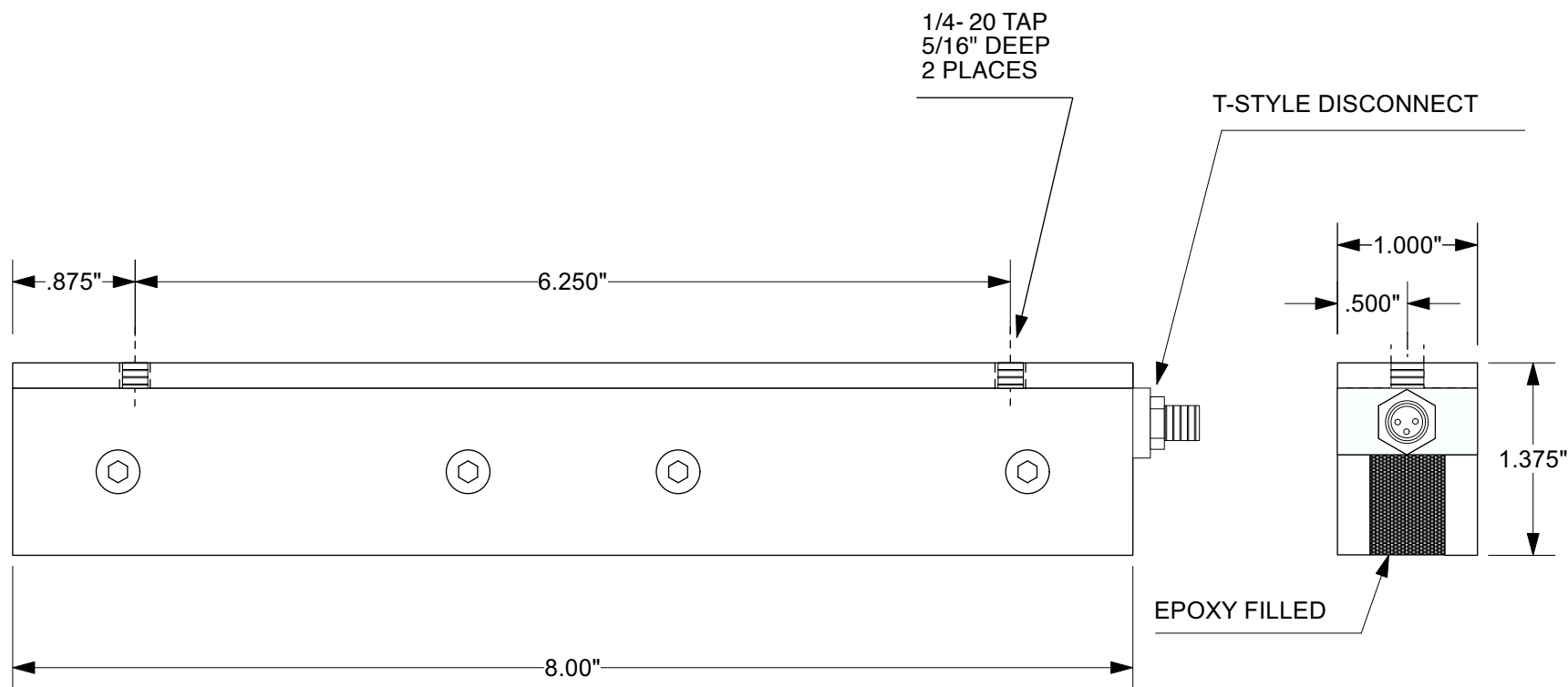
THE T-STYLE DISCONNECT MATES WITH ANY OF OUR T-STYLE CORDS. APPLY 24 VDC TO THE BROWN AND BLUE LEADS, POLARITY IS UNIMPORTANT. BLACK IS AN INDEPENDENT GROUND.

MAINTENANCE INSTRUCTIONS:

ELECTROMAGNETS REQUIRE VERY LITTLE MAINTENANCE TO PROVIDE A LONG USEFUL LIFE. DAILY USE OF A SHOP TOWEL TO WIPE THE FACE OF THE MAGNET FREE OF DEBRIS, GREASE AND OIL OR OTHER FOREIGN MATTER WILL ENSURE YEARS OF SERVICE LIFE AND THOUSANDS OF SAFE LIFTS.



MODEL# BPS-10080T-24C  
INPUT: 24 VDC  
POWER: 22 WATTS  
DUTY CYCLE: CONTINUOUS  
HOLDING POWER: 210 LBS.



IF YOU HAVE ANY QUESTIONS ABOUT THIS MAGNET OR THE CORRESPONDING DC POWER SUPPLY, PLEASE CALL OUR ENGINEERING DEPARTMENT FOR ASSISTANCE: (1-800-635-3954)

AUTOMATIC EQUIPMENT CORP.  
BPS-10080T-24C  
CUSTOMER DRAWING  
SCALE: 1"=1.25" 05/16/22  
H-15536