

LP SERIES RECTANGULAR LIFTING MAGNETS

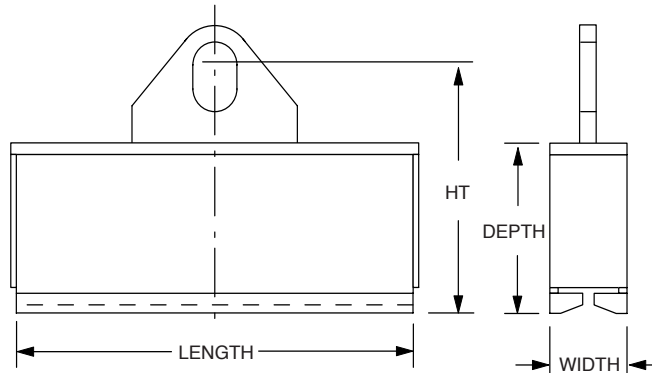
PARALLEL POLE LIFTING MAGNETS ARE IDEAL FOR TUBING & STRUCTURALS



LP SERIES

These high strength electromagnets are furnished with one pair of flat pole shoes to be machined to your requirements. We will quote pricing to machine the poles, or you can machine them to your specifications. LP Series electromagnets are also available with a power supply mounted directly on the magnet. All models are furnished with a 6' disconnect or power cord.

110 VDC Continuous Duty



LPR SERIES

PRODUCT NUMBER	DIMENSIONS-(IN)				INPUT	WATTS	CORD	WEIGHT (LBS)	MAX LOAD WORKING
	WDTH.	LGTH.	HT.	DPTH.					
LP-3506-110C	3.5	6.0	7.0	11.5	110 VDC	70	M-STYLE	45	350
LP-3512-110C	3.5	12.0	7.0	11.5	110 VDC	180	M-STYLE	75	500
LP-3518-110C	3.5	18.0	7.0	10.0	110 VDC	280	M-STYLE	105	800
LP-6012-110C	6.0	12.0	7.5	10.5	110 VDC	242	S-STYLE	110	750
LP-6018-110C	6.0	18.0	7.5	10.5	110 VDC	320	S-STYLE	160	1000
LP-6024-110C	6.0	24.0	7.5	10.5	110 VDC	360	S-STYLE	210	1500
LP-8008-110C	8.0	8.0	10.0	13.0	110 VDC	360	S-STYLE	266	900
LP-8016-110C	8.0	16.0	10.0	13.0	110 VDC	420	S-STYLE	370	1600
LP-8024-110C	8.0	24.0	10.0	13.0	110 VDC	480	S-STYLE	480	2400

PRODUCT NUMBER	DIMENSIONS-(IN)				INPUT	WATTS	CORD	WEIGHT (LBS)	MAX LOAD WORKING
	WDTH.	LGTH.	HT.	DPTH.					
LPR-3506-110C	3.5	6.0	7.0	11.5	120 VAC	70	AC PLUG	45	350
LPR-3512-110C	3.5	12.0	7.0	11.5	120 VAC	180	AC PLUG	75	500
LPR-3518-110C	3.5	18.0	7.0	10.0	120 VAC	280	AC PLUG	105	800
LPR-6012-110C	6.0	12.0	7.5	10.5	120 VAC	242	AC PLUG	110	750
LPR-6018-110C	6.0	18.0	7.5	10.5	120 VAC	320	AC PLUG	160	1000
LPR-6024-110C	6.0	24.0	7.5	10.5	120 VAC	360	AC PLUG	210	1500
LPR-8008-110C	8.0	8.0	10.0	13.0	120 VAC	360	AC PLUG	266	900
LPR-8016-110C	8.0	16.0	10.0	13.0	120 VAC	420	AC PLUG	370	1600
LPR-8024-110C	8.0	24.0	10.0	13.0	120 VAC	480	AC PLUG	480	2400