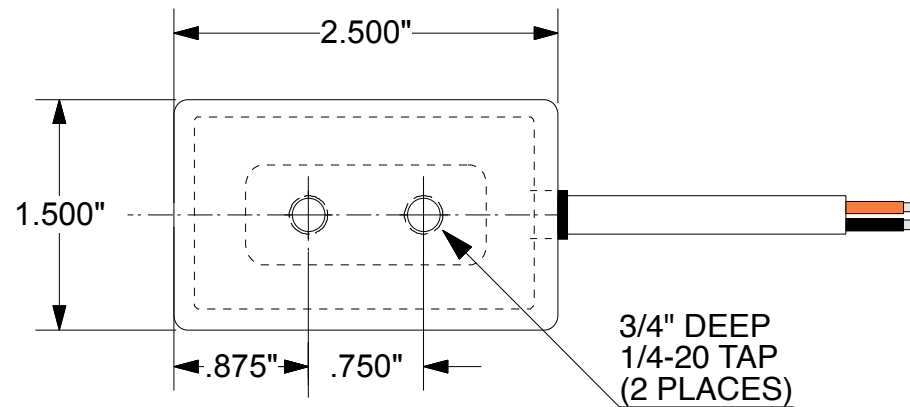




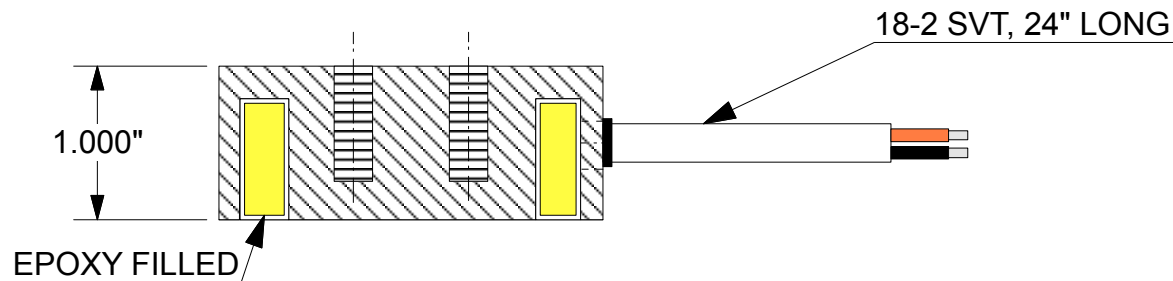
MAGNETICS

AUTOMATIC EQUIPMENT CORPORATION
4699 INTERSTATE DR. CINCINNATI, OHIO 45246
PHONE: (800) 635-3954 FAX: (800) 635-3955
E-MAIL: aec@aecmagnetics.com ON-LINE: www.aecmagnetics.com

MAGNETIC SPECIALISTS FOR AUTOMATED MANUFACTURING



MODEL: EM-1525-12C
INPUT: 12 VDC
CURRENT: 7.2 WATTS
DUTY CYCLE: CONTINUOUS
HOLDING POWER: 200 LBS.



AUTOMATIC EQUIPMENT CORPORATION

EM-1525-12C

CUST DWG

06/13/13

H-12496