

INSTALLATION:

THE E-STYLE DISCONNECT MATES WITH ANY OF OUR E-STYLE CORDS. APPLY 24 VDC TO THE BROWN AND BLUE LEADS AND THE BLACK IS GROUND.

MAINTENANCE INSTRUCTIONS:

ELECTROMAGNETS REQUIRE VERY LITTLE MAINTENANCE TO PROVIDE A LONG USEFUL LIFE. DAILY USE OF A SHOP TOWEL TO WIPE THE FACE OF THE MAGNET FREE OF DEBRIS, GREASE AND OIL OR OTHER FOREIGN MATTER WILL ENSURE YEARS OF SERVICE LIFE AND THOUSANDS OF SAFE LIFTS.



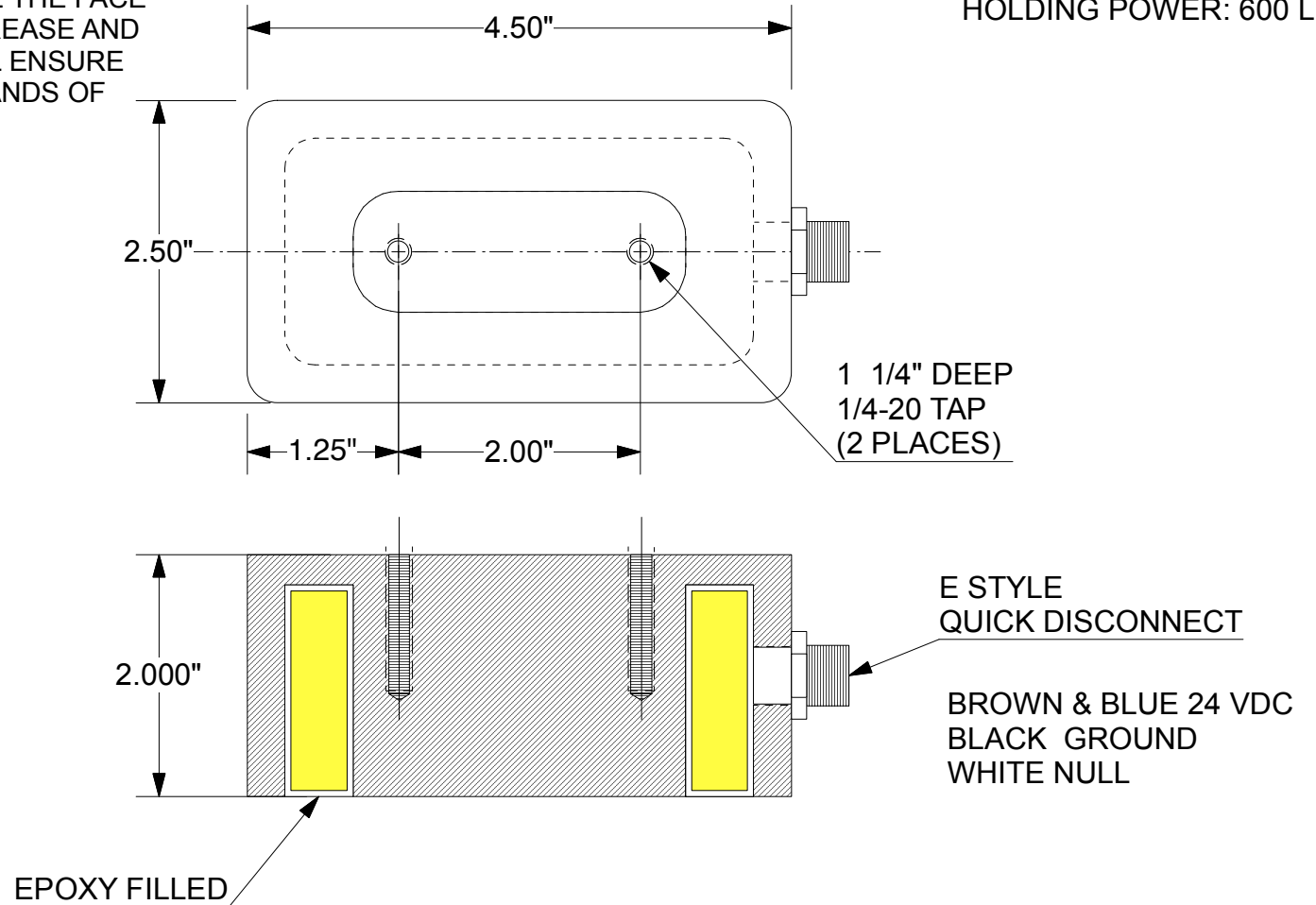
MAGNETICS

AUTOMATIC EQUIPMENT CORPORATION
4699 INTERSTATE DR. CINCINNATI, OHIO 45246
PHONE: (800) 635-3954 FAX: (800) 635-3955

E-MAIL: aec@aecmagnetics.com ON-LINE: www.aecmagnetics.com

MAGNETIC SPECIALISTS FOR AUTOMATED MANUFACTURING

MODEL: EM-2545E-24C
VOLTAGE: 24VDC
CURRENT: 26 WATTS
DUTY CYCLE: CONTINUOUS
HOLDING POWER: 600 LBS



IF YOU HAVE ANY QUESTIONS ABOUT THIS MAGNET OR THE CORRESPONDING DC POWER SUPPLY, PLEASE CALL OUR ENGINEERING DEPARTMENT FOR ASSISTANCE: (1-800-635-3954)

AUTOMATIC EQUIPMENT CORP
EM-2545E-24C
CUST DWG
08/17/21
H-15369