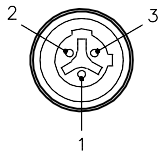


FEMALE END VIEW



- 1 = GREEN/YELLOW
- 2 = RED/BLACK
- 3 = RED/WHITE

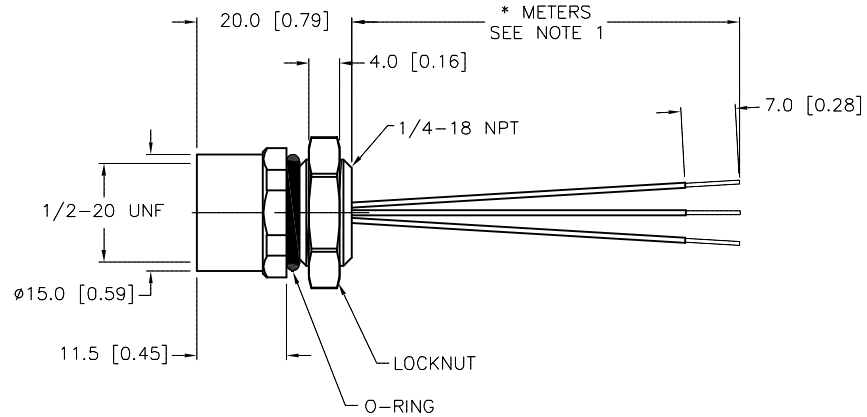
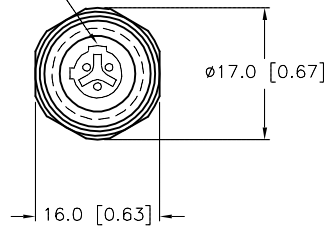


**BLACK & WHITE TO VDC
GREEN IS GROUND**

SPECIFICATIONS

CONTACT CARRIER MATERIAL	NYLON
CONTACT MATERIAL/PLATING	BRASS/GOLD
HOUSING MATERIAL/PLATING	BRASS/NICKEL
RATED CURRENT [A]	4.0 A
RATED VOLTAGE [V]	250 V
CONDUCTOR INSULATION MATERIAL	PVC
NUMBER OF CONDUCTORS [AWG]	3x22 AWG
TEMPERATURE RATING	-40°C to +105°C (-40°F to +221°F)
PROTECTION CLASS	NEMA 1,3,4,6P AND IEC IP67, IP68, IP69K

KEYWAY CAN BE IN ANY POSITION



SOURCE DRAWING - FOR REFERENCE ONLY

NOTES:

- 1. "*" INDICATES LEAD LENGTH IN METERS. CONTACT TURCK TO ORDER SPECIFIC LENGTHS.

RELATED DOCUMENTS		3RD ANGLE PROJECTION		THIS DRAWING IS CONFIDENTIAL AND THE PROPERTY OF TURCK INC. USE OF THIS DOCUMENT WITHOUT WRITTEN PERMISSION IS PROHIBITED.		<p>3000 CAMPUS DRIVE MINNEAPOLIS, MN 55441 1-800-544-7769 (763) 553-7300 (763) 553-0708 fax www.turck.us</p>	
1. 2. 3. 4.				DRFT RDS DATE 01/30/07		DESCRIPTION	
SEE SPECIFICATION		ALL DIMENSIONS DISPLAYED ON THIS DRAWING ARE FOR REFERENCE ONLY		APVD SCALE 1=1.0		FKB 3-0.5/18.25	
FINISH		CONTACT TURCK FOR MORE INFORMATION		UNIT OF MEASUREMENT		IDENTIFICATION NO.	
SEE SPECIFICATION				MILLIMETER [INCH]		MCM-15446	
C UPDATE CONDUCTOR COLOR		NF 09/26/17 62158		DO NOT SCALE THIS DRAWING		REV C	
REV DESCRIPTION		BY DATE ECO NO.		FILE: 777010062		SHEET 1 OF 1	