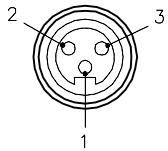
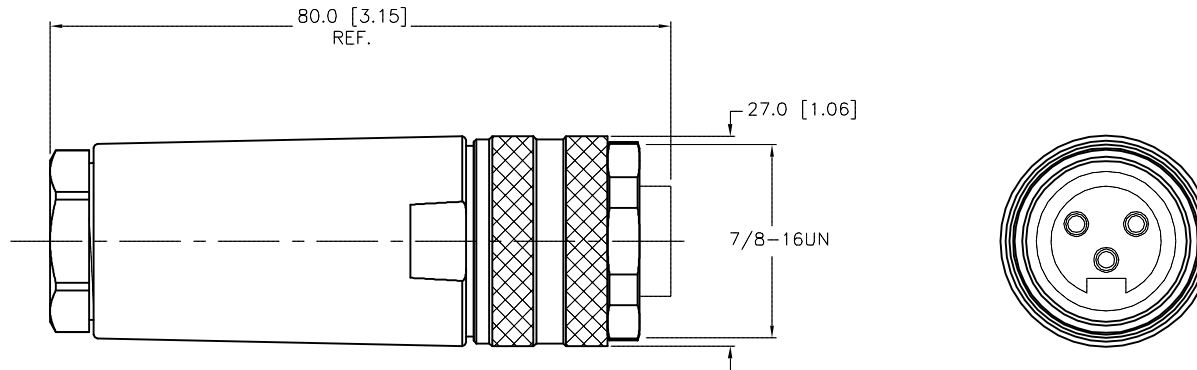


FEMALE END VIEW



SPECIFICATIONS

| | |
|-------------------------------|----------------------------------|
| HOUSING MATERIAL/COLOR | PBT or NYLON/BLACK |
| CONTACT MATERIAL/PLATING | BRASS/GOLD |
| COUPLING NUT MATERIAL/PLATING | DIECAST ZINC/NICKEL |
| RATED CURRENT [A] | 12.0 A |
| RATED VOLTAGE [V] | 600 V |
| MAXIMUM WIRE SIZE | 16 AWG |
| TERMINATION METHOD | SCREW TERMINAL |
| CABLE GRIP RANGE | 10-12mm |
| TEMPERATURE RATING | -25°C to +85°C (-13°F to +185°F) |
| PROTECTION CLASS | IP67 |



SOURCE DRAWING - FOR REFERENCE ONLY

| | | | | | | | | | |
|-------------------------|--|--|--|---|--|--|--|---|--|
| RELATED DOCUMENTS | | | | 3RD ANGLE PROJECTION | | THIS DRAWING IS CONFIDENTIAL AND THE PROPERTY OF TURCK INC. USE OF THIS DOCUMENT WITHOUT WRITTEN PERMISSION IS PROHIBITED. | | 3000 CAMPUS DRIVE MINNEAPOLIS, MN 55441 1-800-544-7769 (763) 553-7300 (763) 553-0708 fax turck.com | |
| 1. 2. 3. 4. | | | | | | DRFT RDS | | DATE 12/16/10 | |
| MATERIAL | | | | | | APVD | | SCALE 1=1.0 | |
| SEE SPECIFICATIONS | | | | ALL DIMENSIONS DISPLAYED ON THIS DRAWING ARE FOR REFERENCE ONLY | | UNIT OF MEASUREMENT | | DESCRIPTION | |
| FINISH | | | | CONTACT TURCK FOR MORE INFORMATION | | MILLIMETER [INCH] | | IDENTIFICATION NO. | |
| SEE SPECIFICATIONS | | | | | | DO NOT SCALE THIS DRAWING | | B 4131-0/13.5 MCS-13706 | |
| B UPDATE VOLTAGE & TEMP | | | | NF 02/19/15 49070 | | FILE: U6310-1 | | REV B | |
| REV DESCRIPTION | | | | BY DATE ECO NO. | | SHEET 1 OF 1 | | | |