

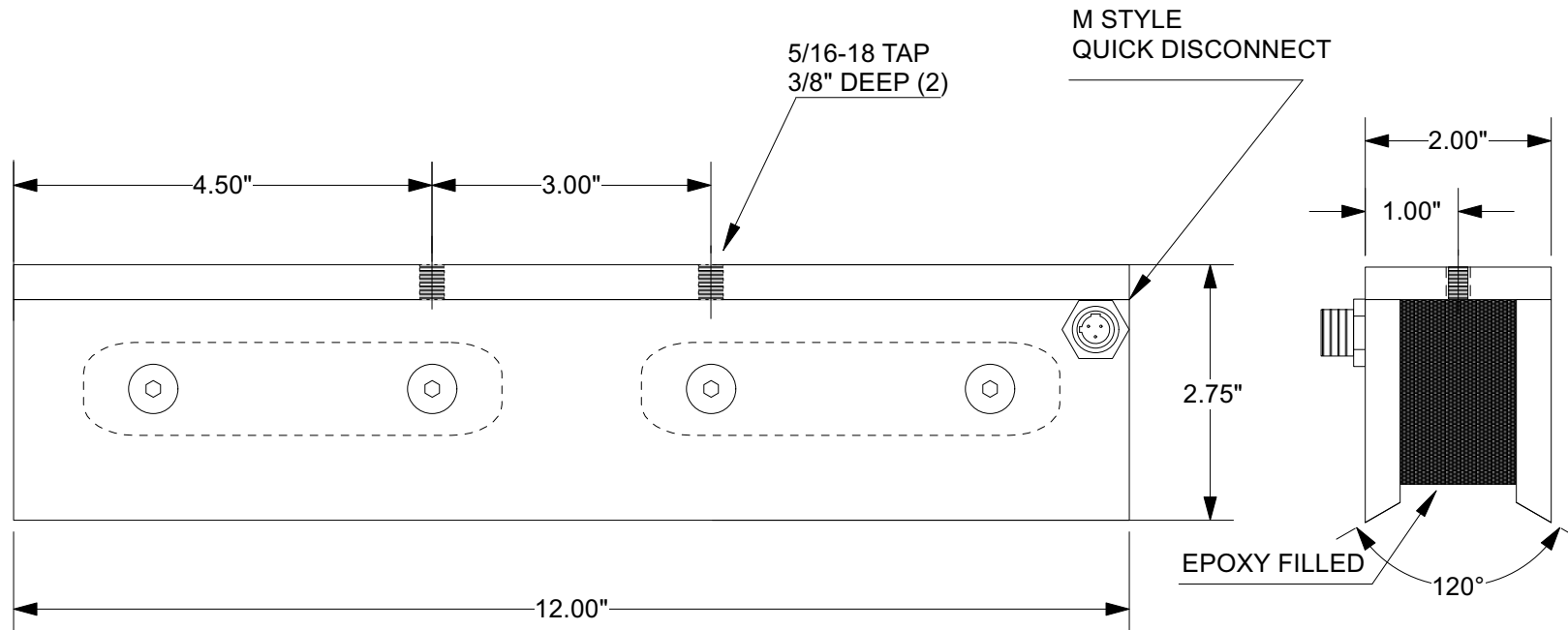
INSTALLATION:

THE M-STYLE DISCONNECT MATES WITH ANY OF OUR M-STYLE CORDS. APPLY 110 VDC TO THE RED/WHITE AND RED/BLACK LEADS AND THE GREEN IS GROUND.

MAINTENANCE INSTRUCTIONS:

ELECTROMAGNETS REQUIRE VERY LITTLE MAINTENANCE TO PROVIDE A LONG USEFUL LIFE. DAILY USE OF A SHOP TOWEL TO WIPE THE FACE OF THE MAGNET FREE OF DEBRIS, GREASE AND OIL OR OTHER FOREIGN MATTER WILL ENSURE YEARS OF SERVICE LIFE AND THOUSANDS OF SAFE LIFTS.

MODEL: BPV-20120M-110C  
VOLTAGE: 110VDC  
POWER: 96 WATTS  
DUTY CYCLE: CONTINUOUS  
HOLDING POWER: 720 LBS



IF YOU HAVE ANY QUESTIONS ABOUT THIS MAGNET OR THE CORRESPONDING DC POWER SUPPLY, PLEASE CALL OUR ENGINEERING DEPARTMENT FOR ASSISTANCE: (1-800-635-3954)

AUTOMATIC EQUIPMENT CORP  
BPV-20120M-110C  
CUST DWG  
05/19/22  
H-15552